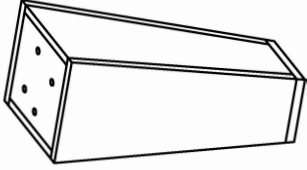
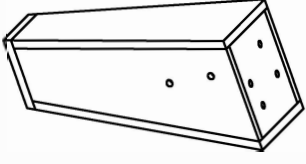


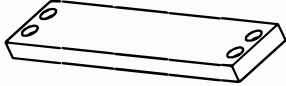



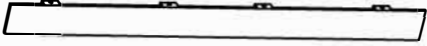

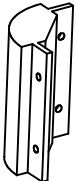
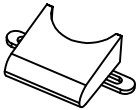
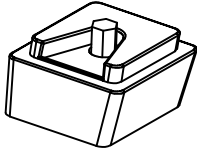

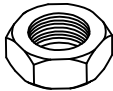
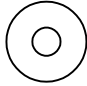
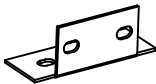
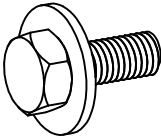
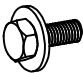
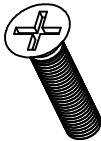


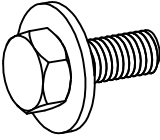
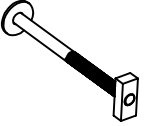


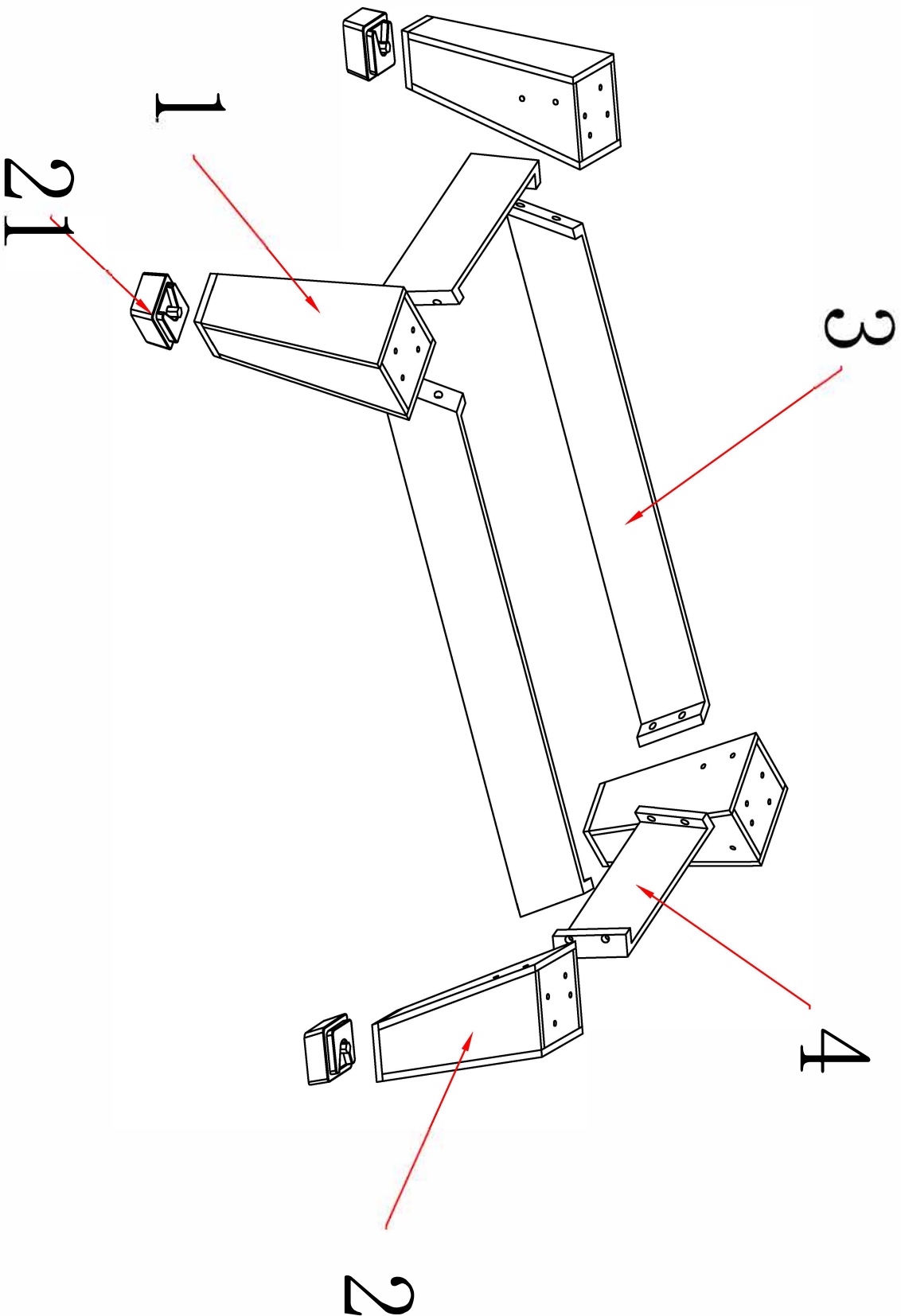
Number 序号	Name 名称	Photo 图样	Quantity 数量
1	Table Leg A 脚A		2
2	Table Leg B 脚B		2
3	Long Coaming Board (Lower) 长下围板		2
4	Short Coaming Board (Lower) 短下围板		2
5	Table Leg Plate 脚拉板		2
6	long Beam 大梁		2
7	Side Beam 边梁		2
8	Middle Beam 中梁		2
9	Long Coaming Board 长吊板		2
10	Short Coaming Board 短吊板		2

Number 序号	Name 名称	Photo 图样	Quantity 数量
11	Three Slate Pieces Splicing 石板三块拼接		1
12	Cloth 布	2915*1615	1块
13	Long Cushion Board A 两边面板A		2
14	Long Cushion Board B 两边面板B		2
15	Short Cushion Board 档头面板		2
16	Wooden Corner Cover 木包角		4
17	Side Connecto 边连接件		4
18	Middle Connector 中连接件		2
19	Side Pocket 边球袋		4
20	Middle Pocket 中球袋		2

Number 序号	Name 名称	Photo 图样	Quantity 数量
21	Adjustment Table Leg Plate 调节脚盘		4
22	10*80Hexagon Head Screws 10*80外六角螺丝		8组
23	M10 Nut M10螺母		8
24	M10 Washer M10垫片		16
25	Meiru Angle Iron 美如脚铁		4
26	10*45 Hexagon Head Screw 10*45外六角螺丝		56 含垫片
27	6*20 self tapping screws 6*20外六角螺丝		16组
28	6*25Countersunk Head Screw 6*25沉头螺丝		20
29	5*50 self tapping screws 5*50自攻螺丝		30
30	Leveling screw 调平螺丝		16

Number 序号	Name 名称	Photo 图样	Quantity 数量
31	10*25Hexagon Head Screws 10*25外六角螺丝	 <p>With washers</p>	8 含垫片
32	10*150Hexagon Head Screws 10*150外六角螺丝		8组
33			
34			
35			
36			
37			
38			
39			
40			

1



Arrange the legs and lower aprons as shown in the diagram

如图布置脚和下围板

2

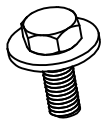
3

4

2

1

21

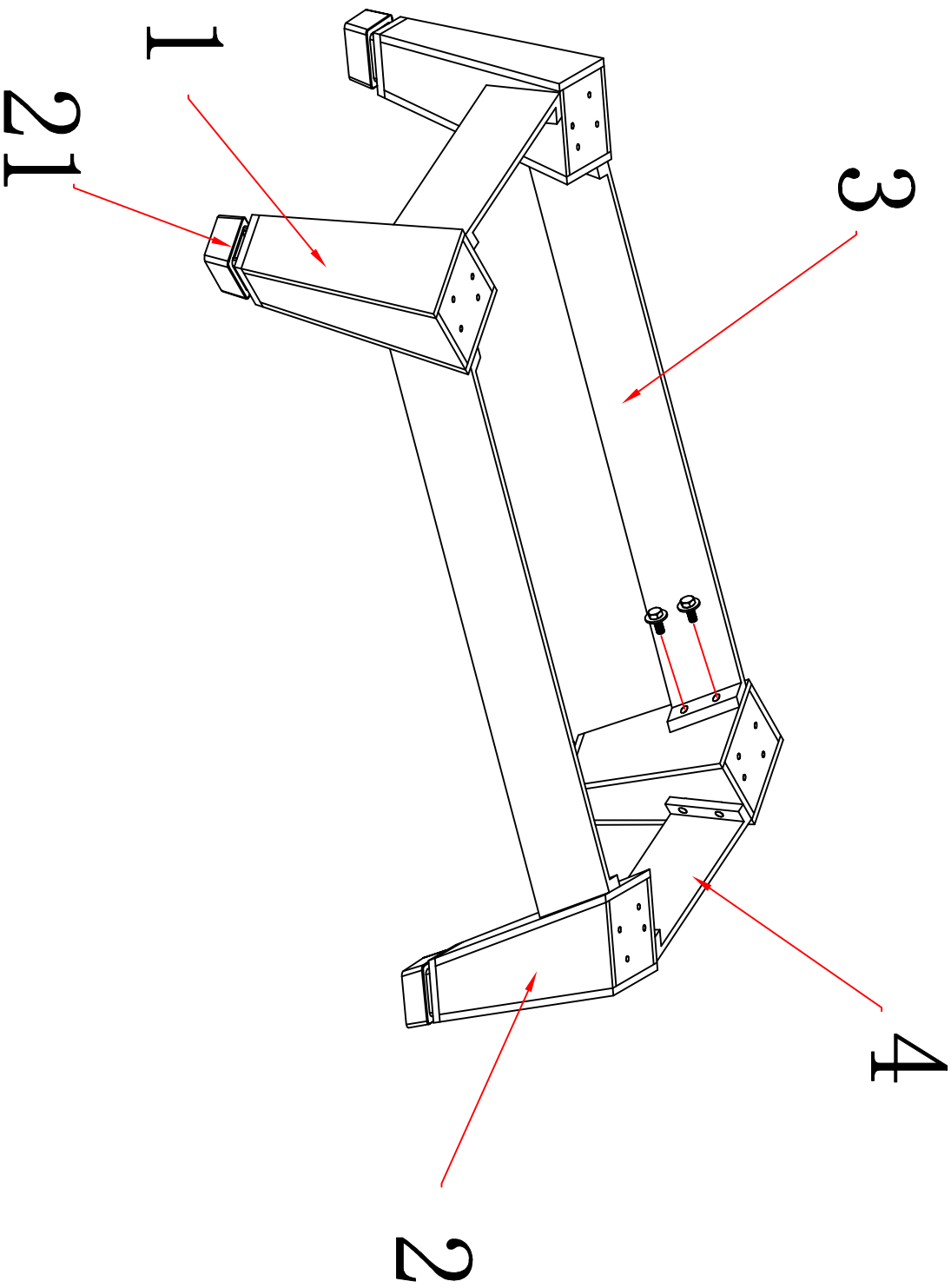


10*45

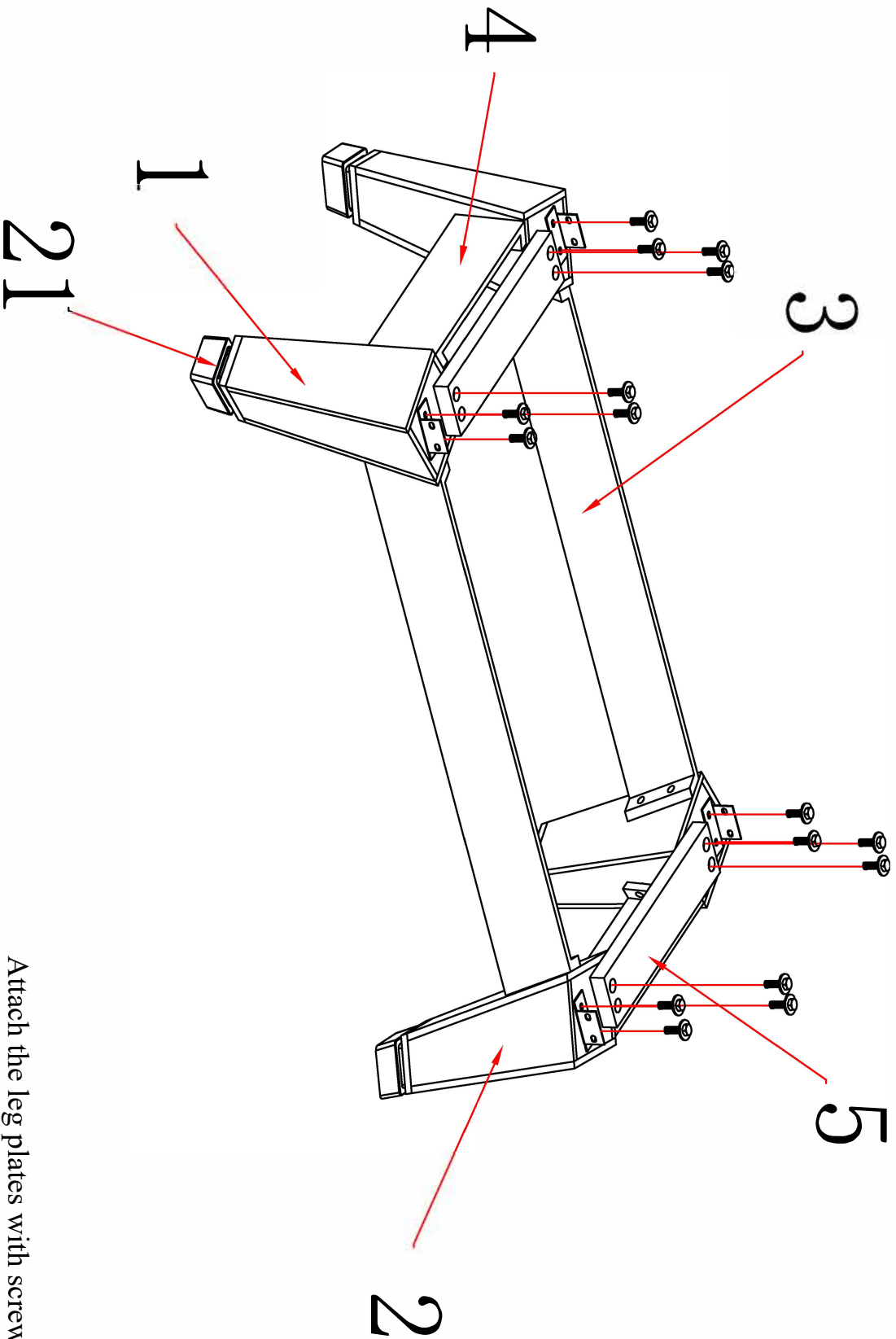
*16

Connect the legs and lower aprons with screws.

螺丝连接脚和下围板



3



10*45

*8



10*25

*8

21

1

4

3

5

2

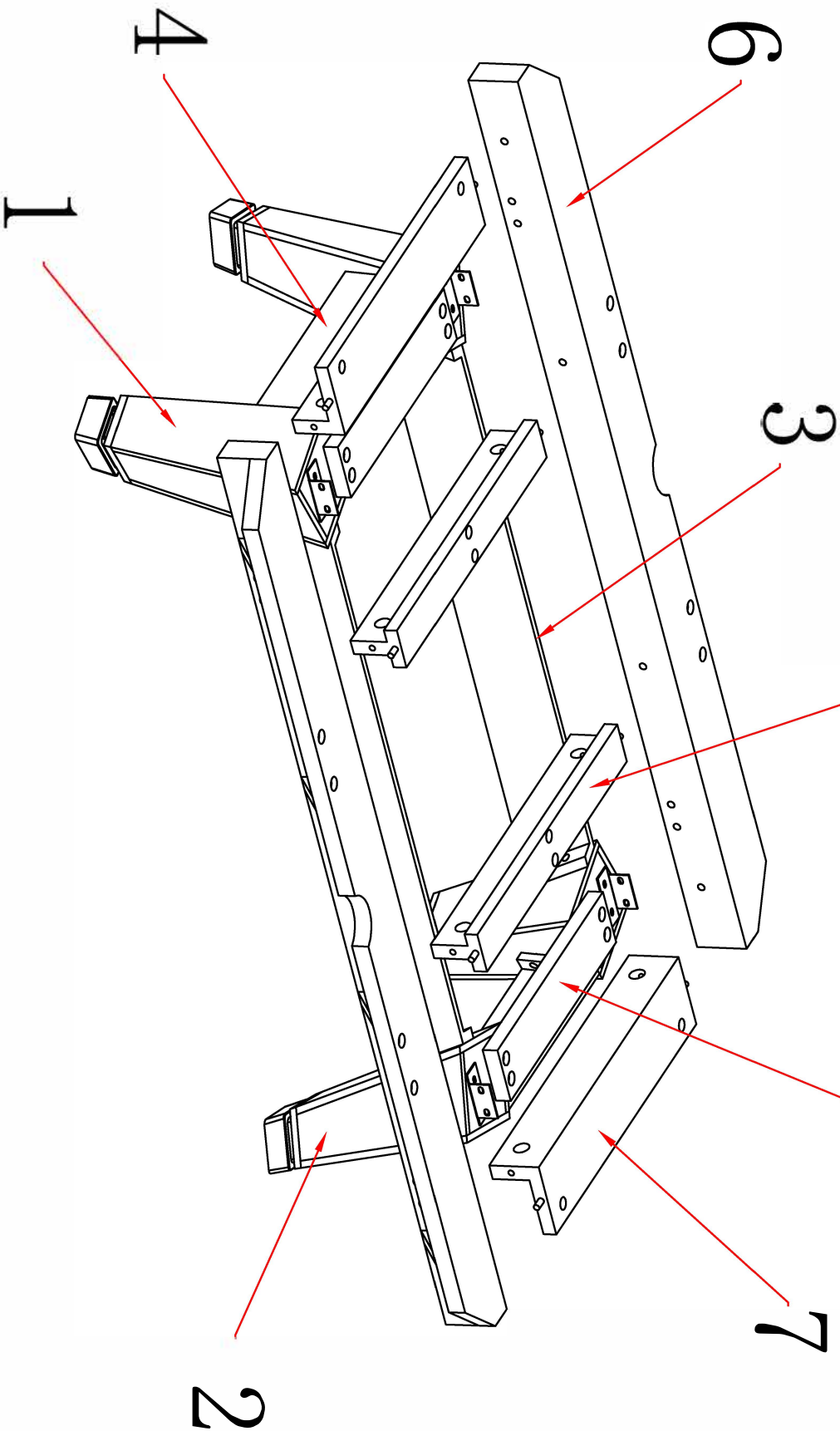
Attach the leg plates with screws.

螺丝连接脚拉板

Do not tighten the angle iron screws first

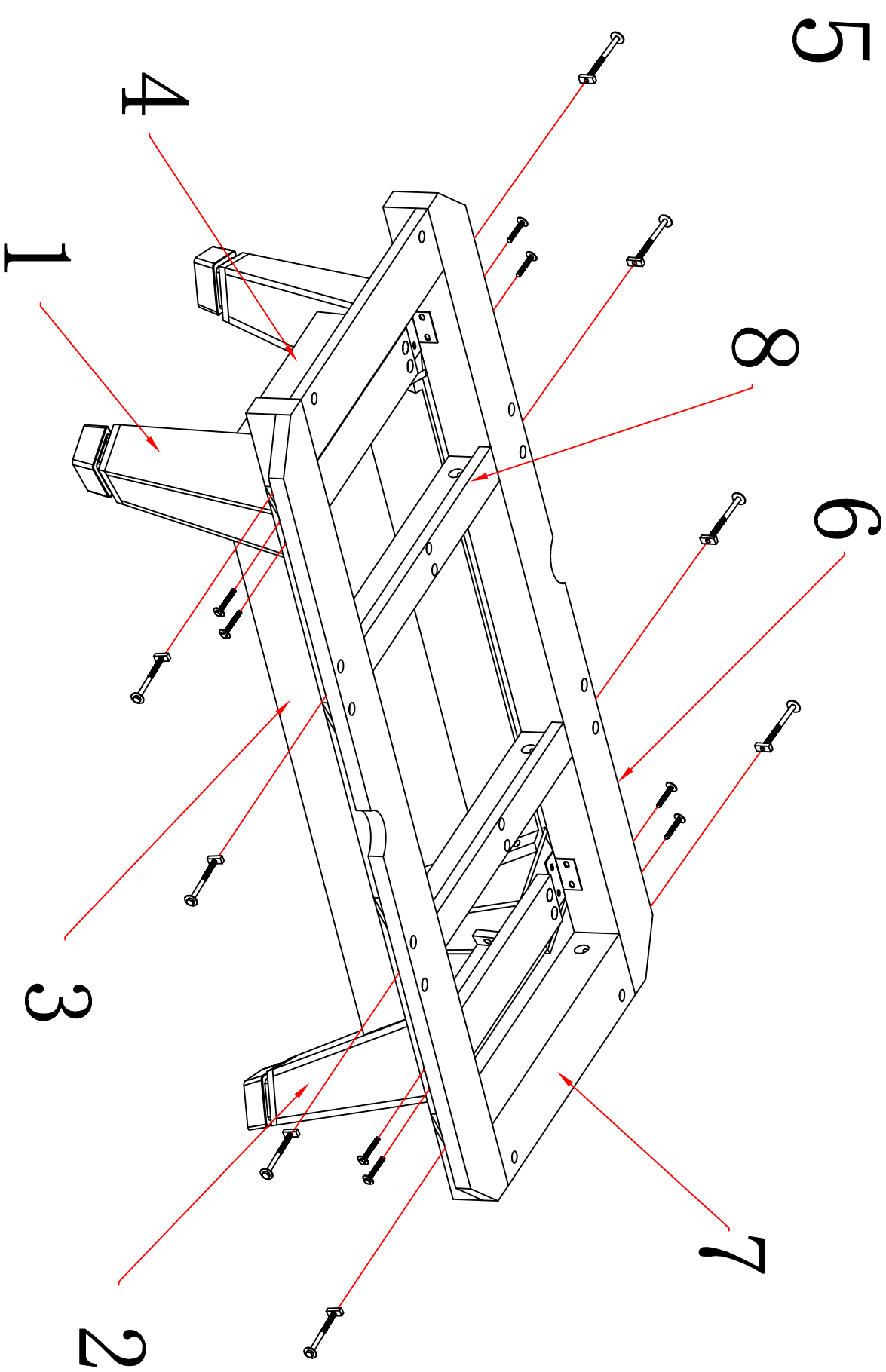
角铁螺丝先不拧紧








4



Arrange the beams as shown in the diagram.

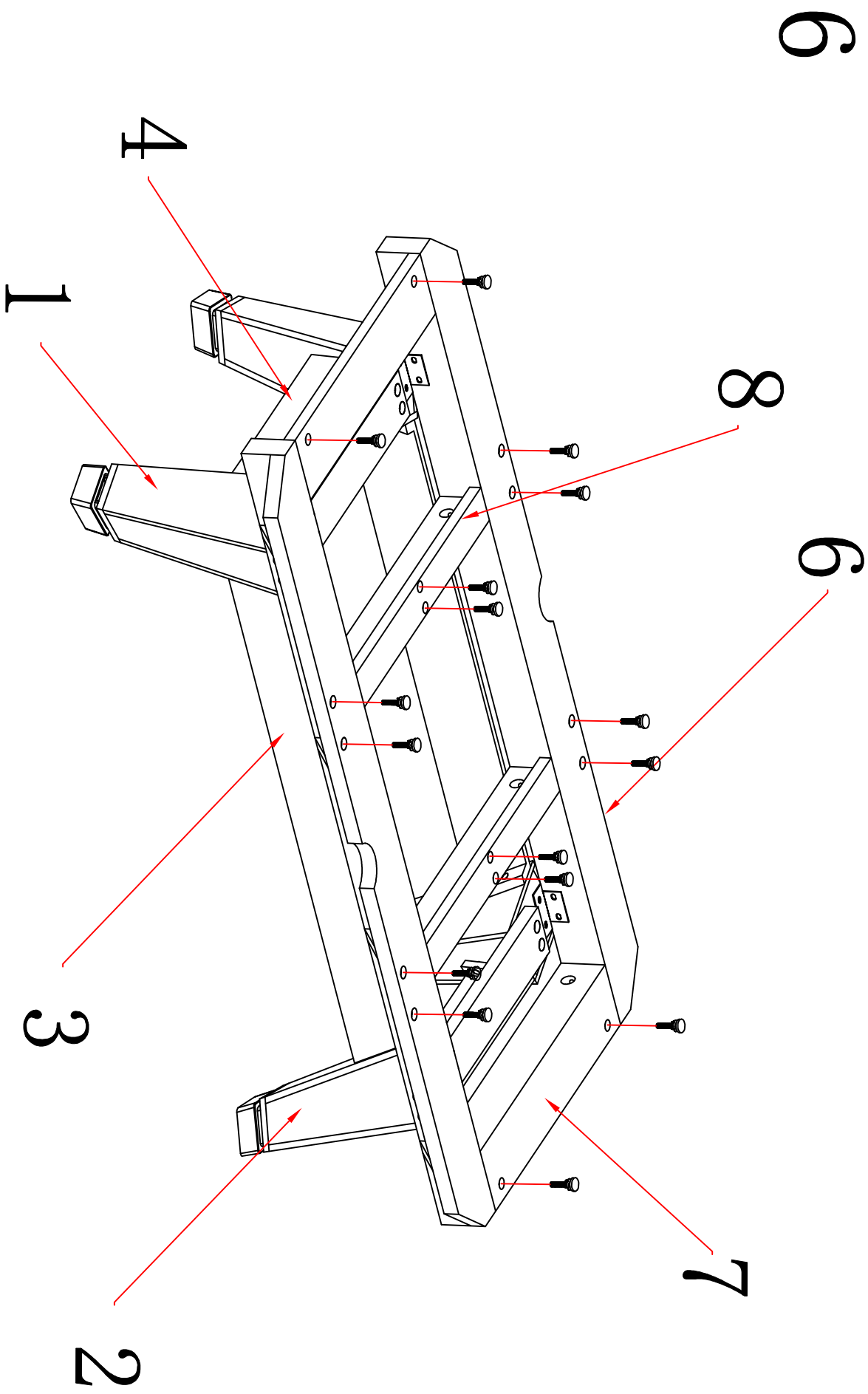
如图布置大梁



- 10*150 
- *8 
- 10*80 
- *8 
- M10 
- *8 
- *16 

Secure the beams and tighten all screws.

固定大梁并拧紧所有螺丝



调平螺丝 Leveling screw

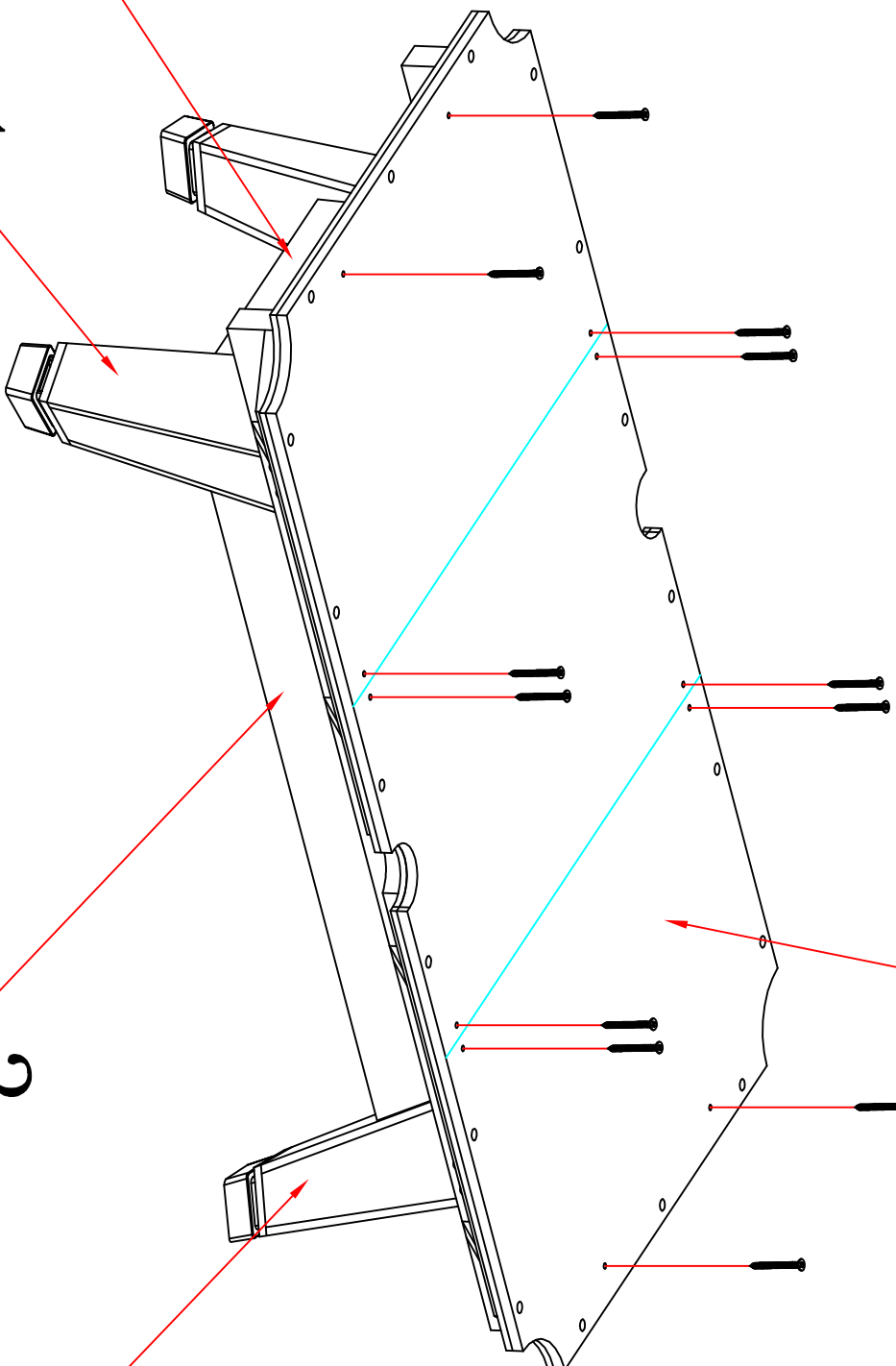


Install the levelers.

安装调平器

7

11



4

1

3

2

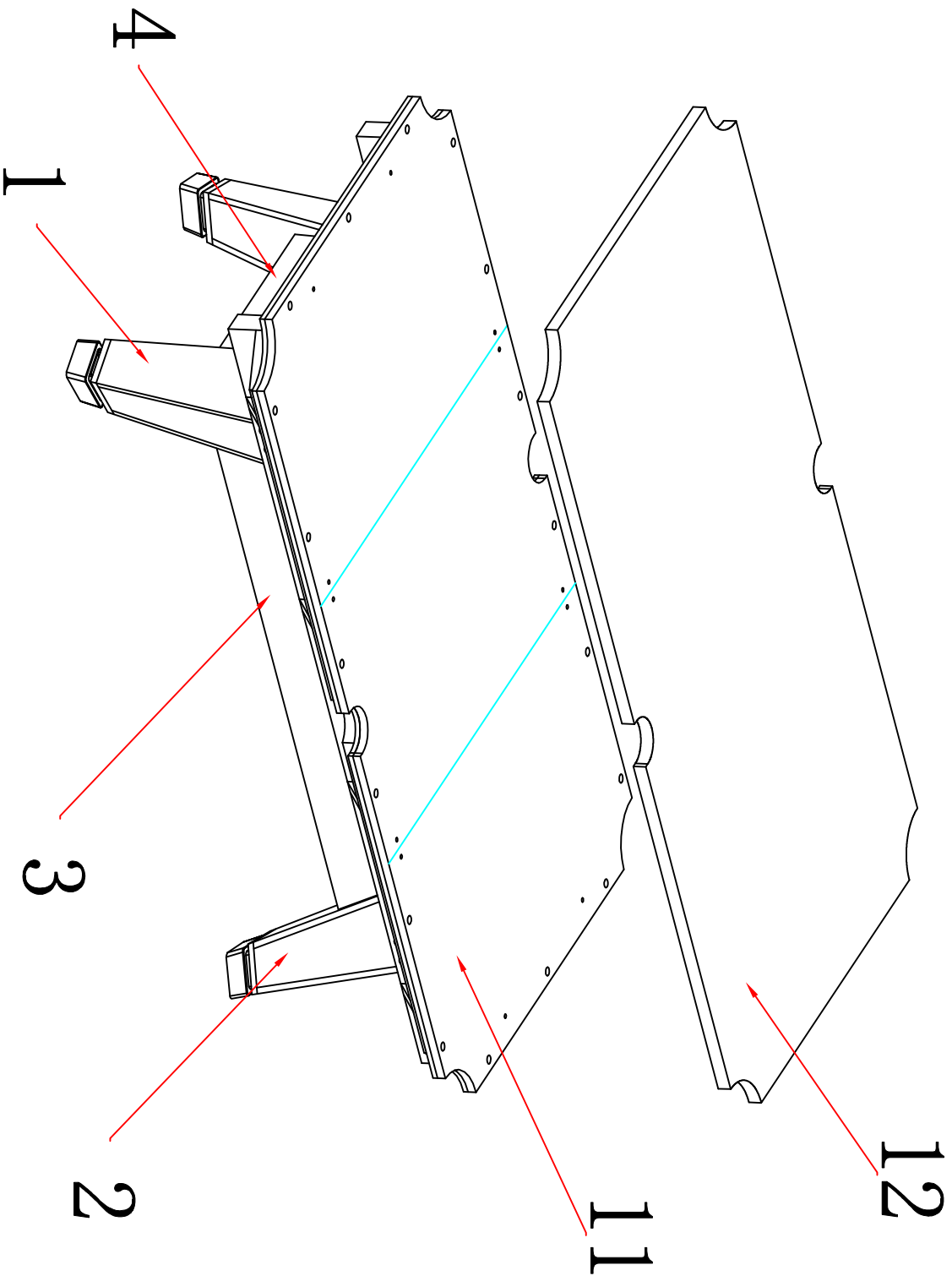
5*50

*12



Place the slates centered, level them, and secure firmly

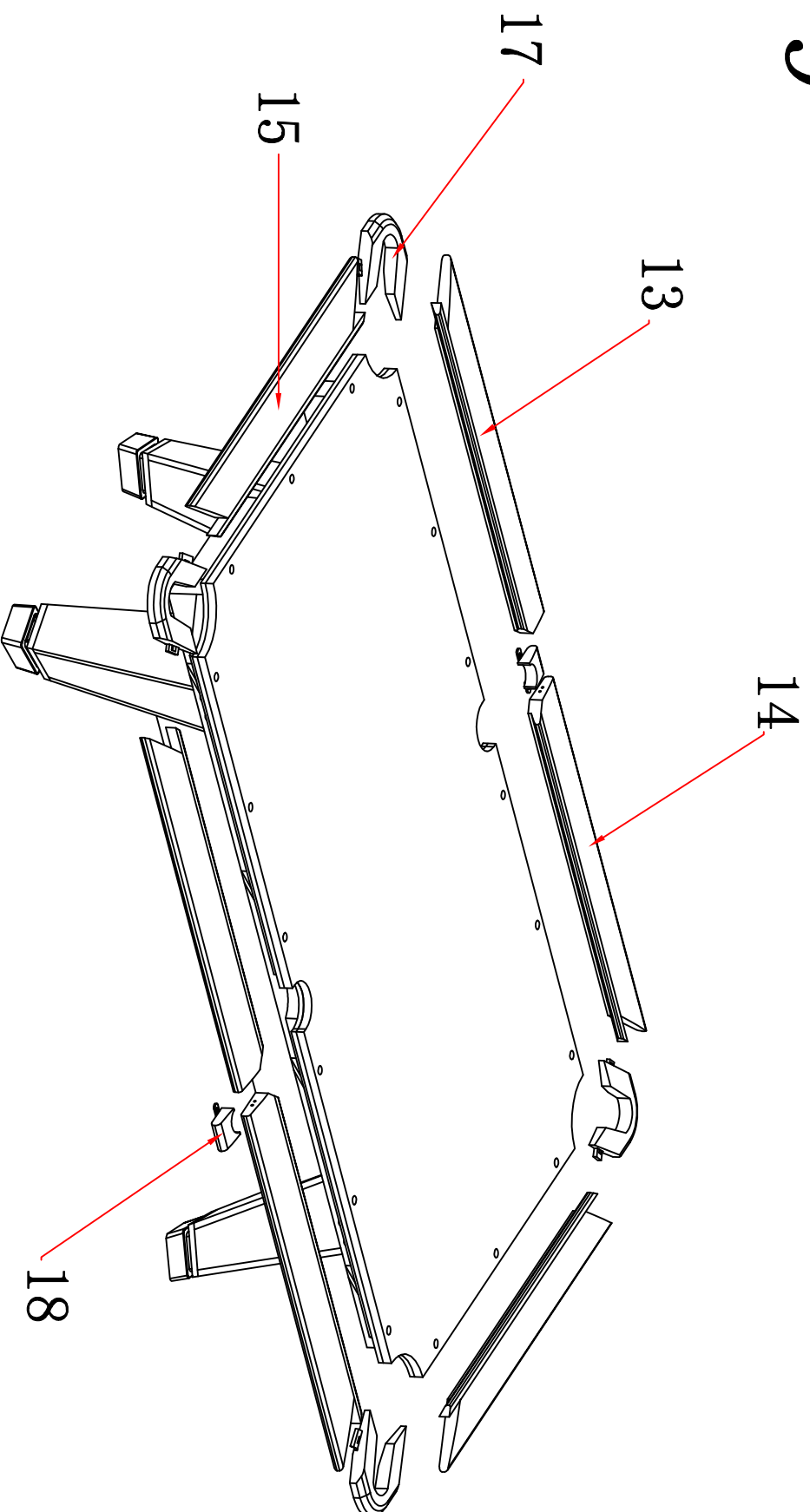
石板居中铺并调水平固定



Wrap the cloth securely and nail it tightly.

包好布料钉紧

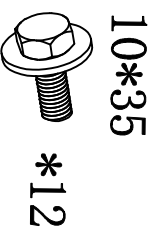
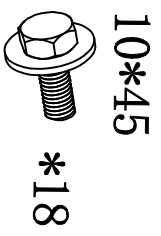
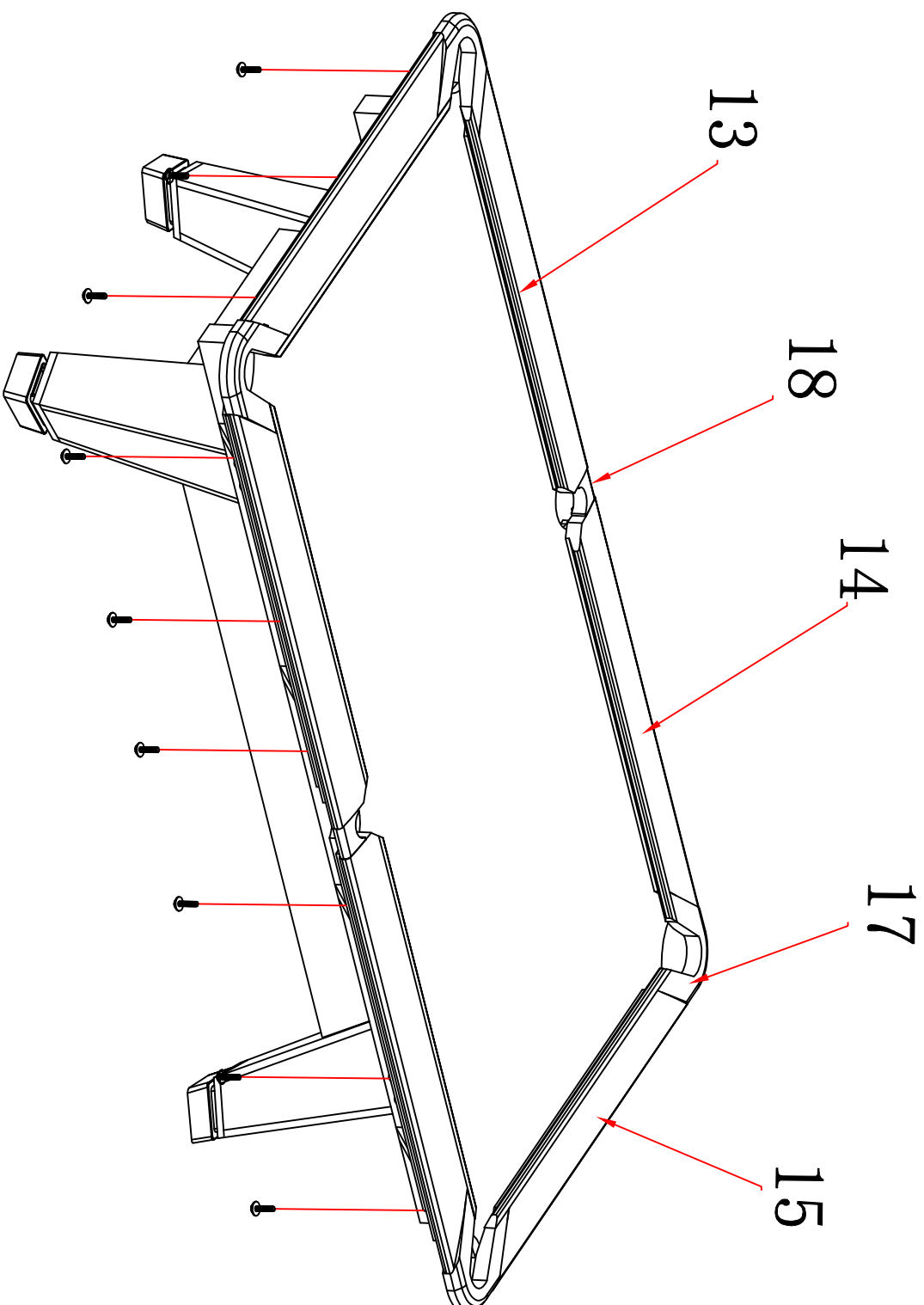
9



Arrange the panel connectors as shown in the diagram.

如图摆布面板连接件

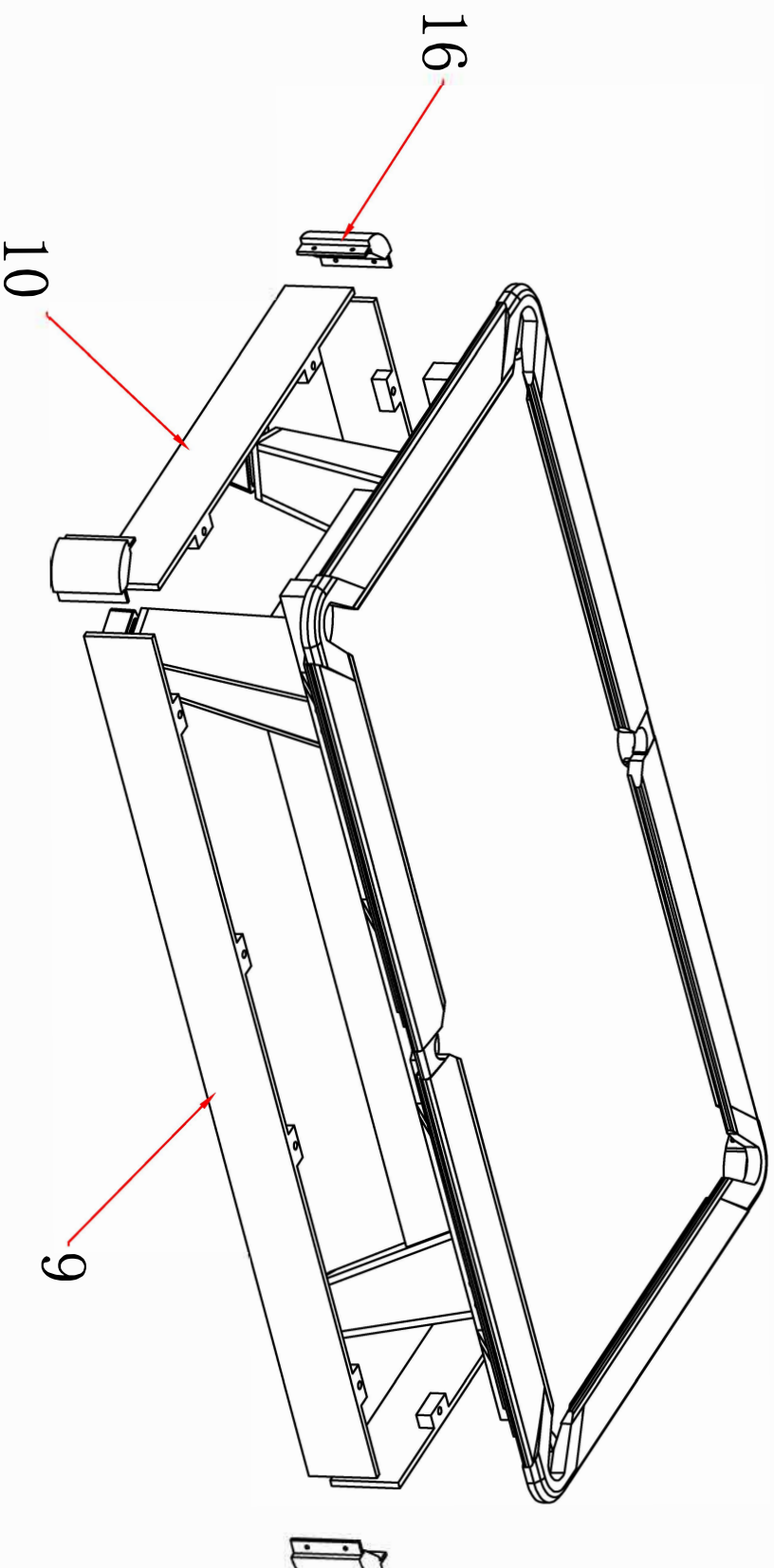
10



Secure the panels and connectors.

固定面板和连接件

11



6*16

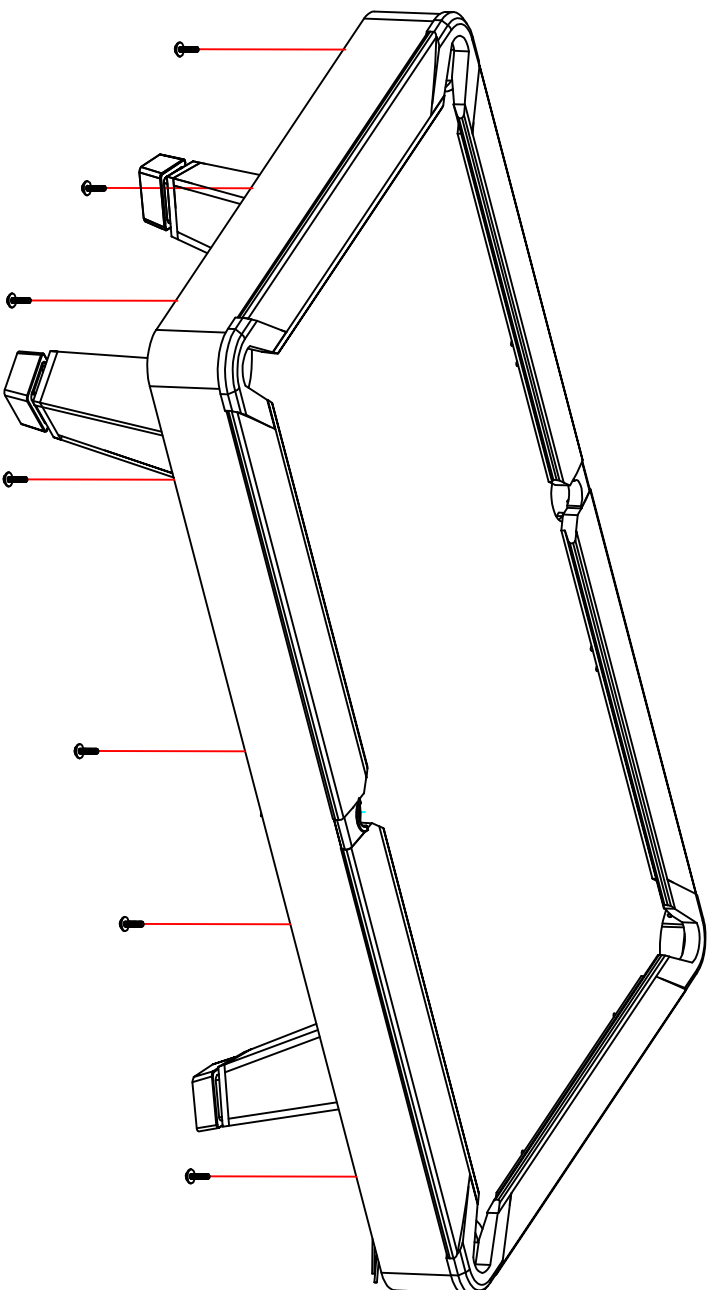
*16



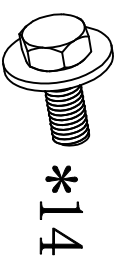
Arrange and connect the hanging plates and corner guards as shown in the figure.

如图布置吊板和包角并连接

12



10*45

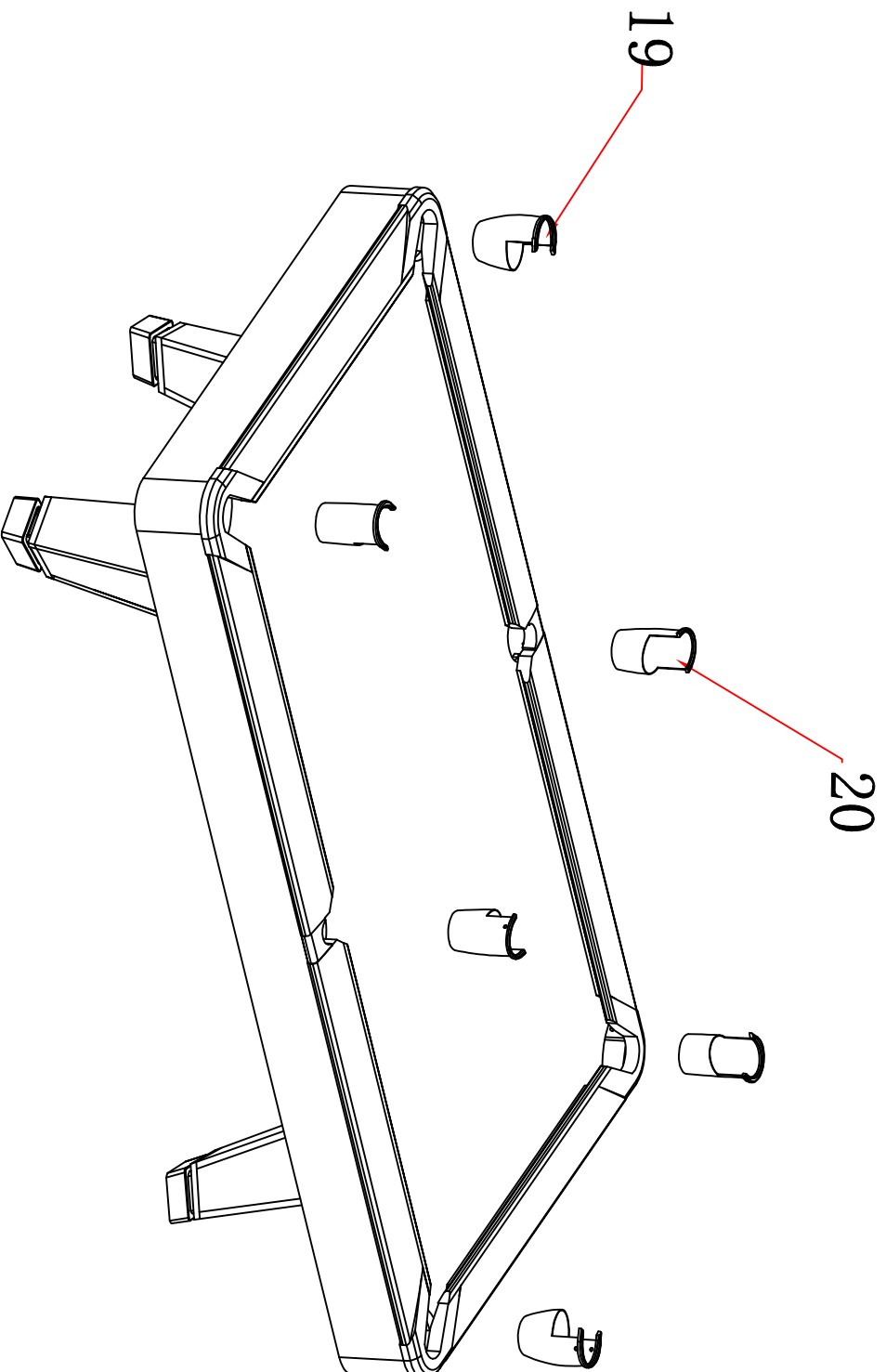


*14

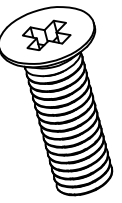
Secure the hanging plates

固定吊板

13



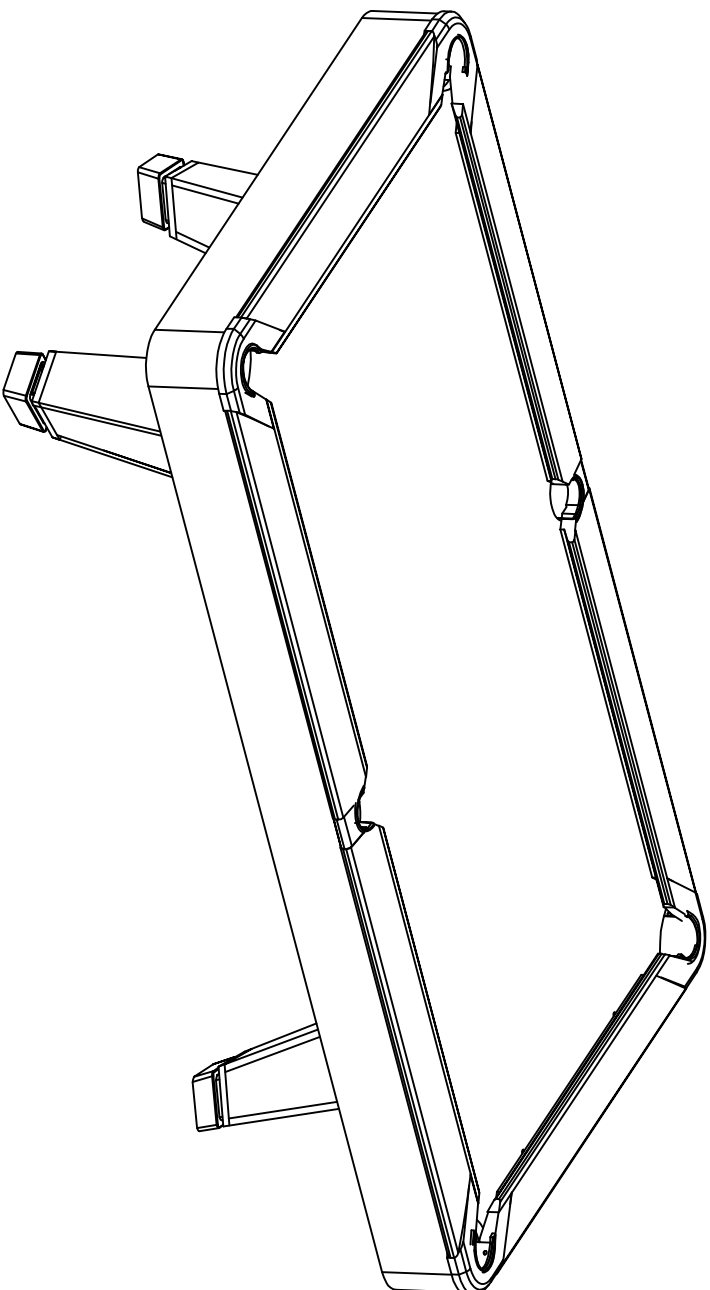
6*20



*12

Insert the corresponding bags and fix them in place.

套入相应球代并固定



Installation completed.

安装完成