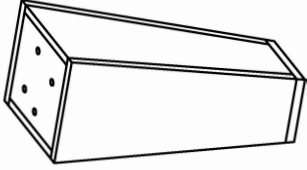
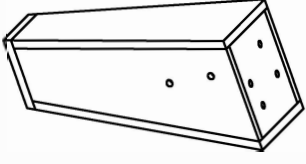


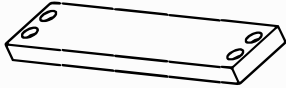

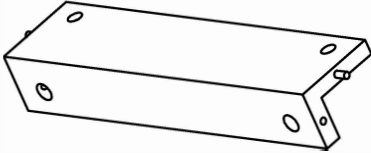
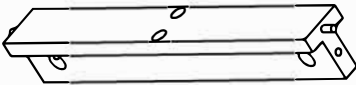
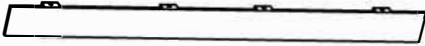

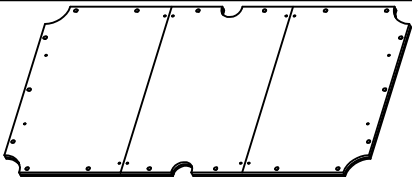
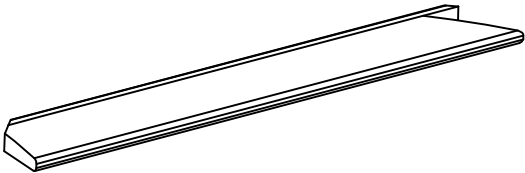
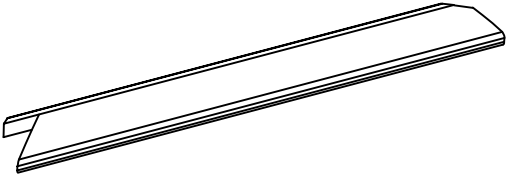

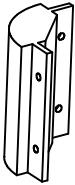
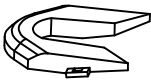
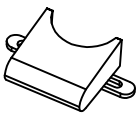
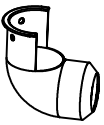

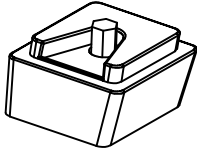
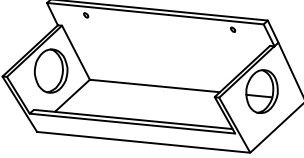
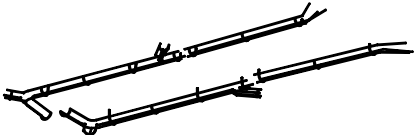

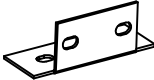
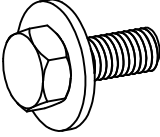
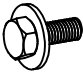
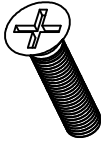
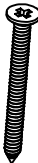

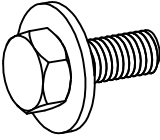
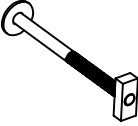

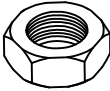
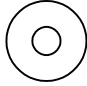



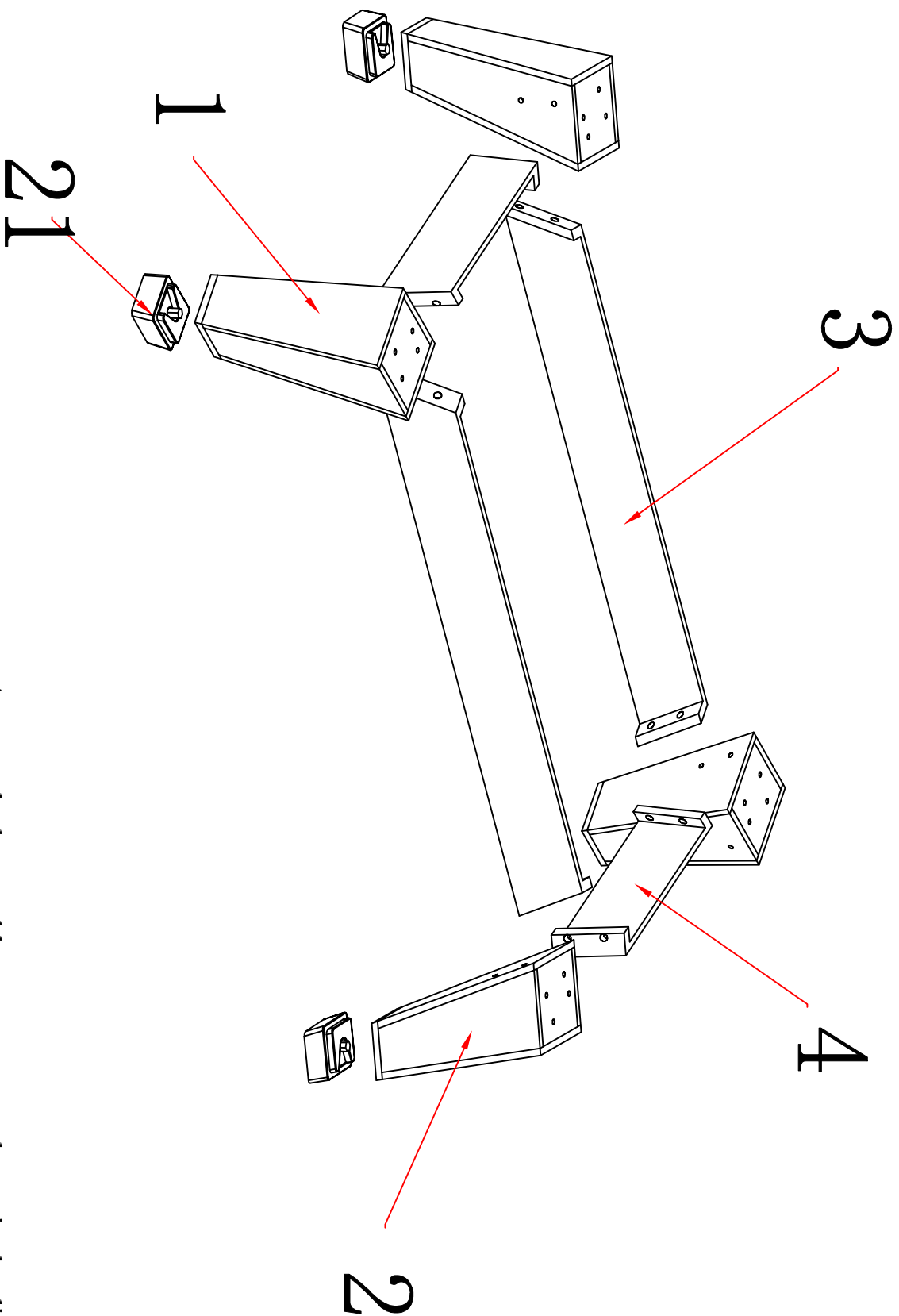
Number 序号	Name 名称	Photo 图样	Quantity 数量
1	Table Leg A 脚A		2
2	Table Leg B 脚B		2
3	Long Coaming Board (Lower) 长下围板		2
4	Short Coaming Board (Lower) 短下围板		2
5	Table Leg Plate 脚拉板		2
6	long Beam 大梁		2
7	Side Beam 边梁		2
8	Middle Beam 中梁		2
9	Long Coaming Board 长吊板		2
10	Short Coaming Board 短吊板		2

Number 序号	Name 名称	Photo 图样	Quantity 数量
11	Three Slate Pieces Splicing 石板三块拼接		1
12	Cloth 布	2915*1615	1块
13	Long Cushion Board A 两边面板A		2
14	Long Cushion Board B 两边面板B		2
15	Short Cushion Board 档头面板		2
16	Wooden Corner Cover 木包脚		4
17	Side connector 边连接件		4
18	Middle connector 中连接件		2
19	Side Pocket 边球袋		4
20	Middle Pocket 中球袋		2

Number 序号	Name 名称	Photo 图样	Quantity 数量
21	Adjustment Table Leg Plate 调节脚盘		4
22	Tray 托盘		1
23	Ball Track 中式跑道		1
24	Cue Rack 杆架		2
25	Meiru Angle Iron 美如脚铁		4
26	10*45 Hexagon Head Screw 10*45外六角螺丝		58 含垫片 With washers
27	6*20 self tapping screws 6*20外六角螺丝		16组
28	6*25 Countersunk Head Screw 6*25沉头螺丝		20
29	5*50 self tapping screws 50*50自攻螺丝		30
30	3.5*25 self tapping screws 3.5*25自攻螺丝		39 Black 黑色

Number 序号	Name 名称	Photo 图样	Quantity 数量
31	10*25Hexagon Head Screws 10*25外六角螺丝	 <p style="text-align: right;">With washers</p>	8 含垫片
32	10*150Hexagon Head Screws 10*150外六角螺丝		8组
33	10*80Hexagon Head Screws 10*80外六角螺丝		8组
34	M10 Nut M10螺母		8
35	M10 Washer M10垫片		16
36	Leveling screw 调平螺丝		16
37			
38			
39			
40			

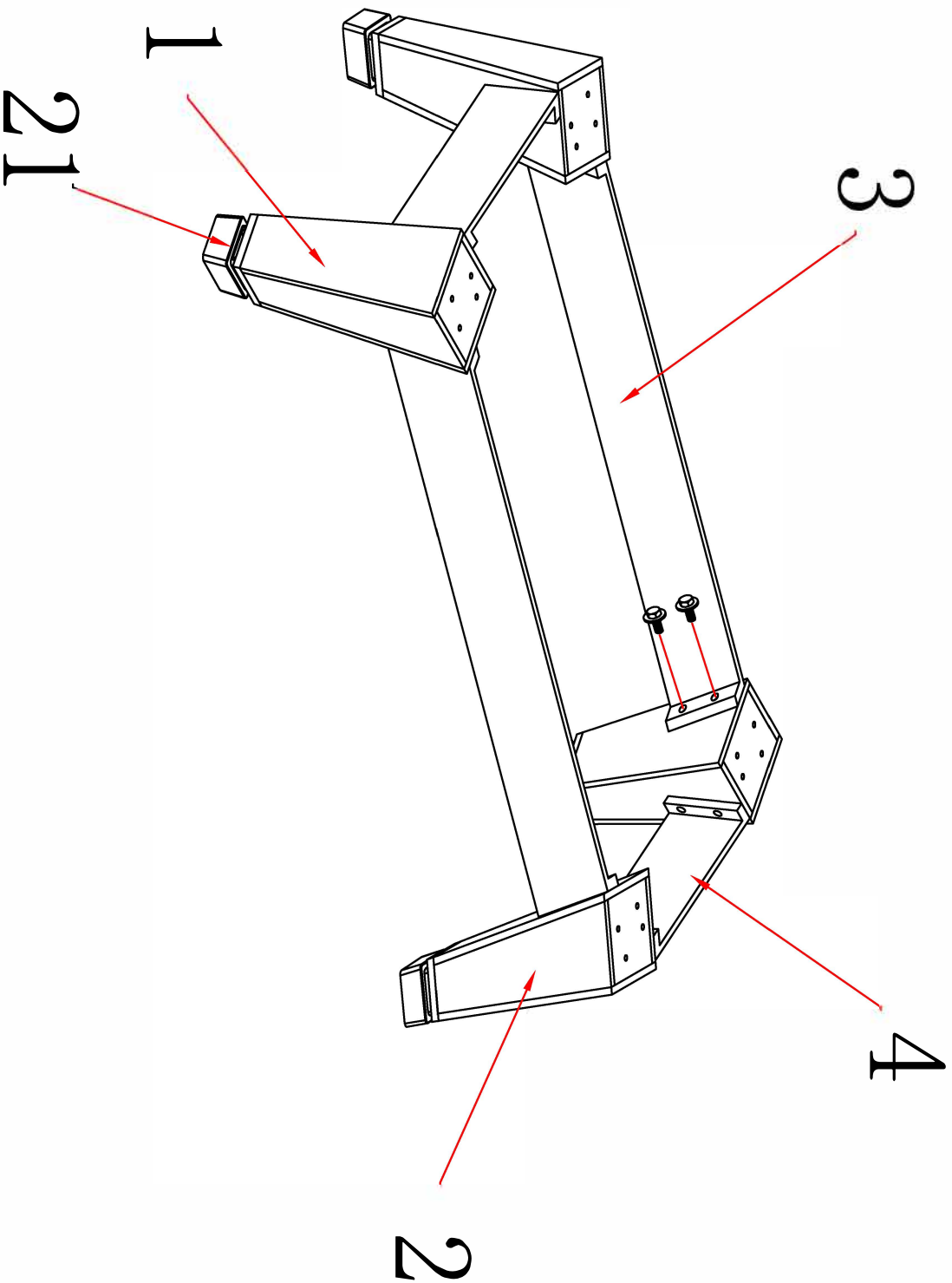
1



Arrange the legs and lower aprons as shown in the diagram

如图布置脚和下围板

2



10*45

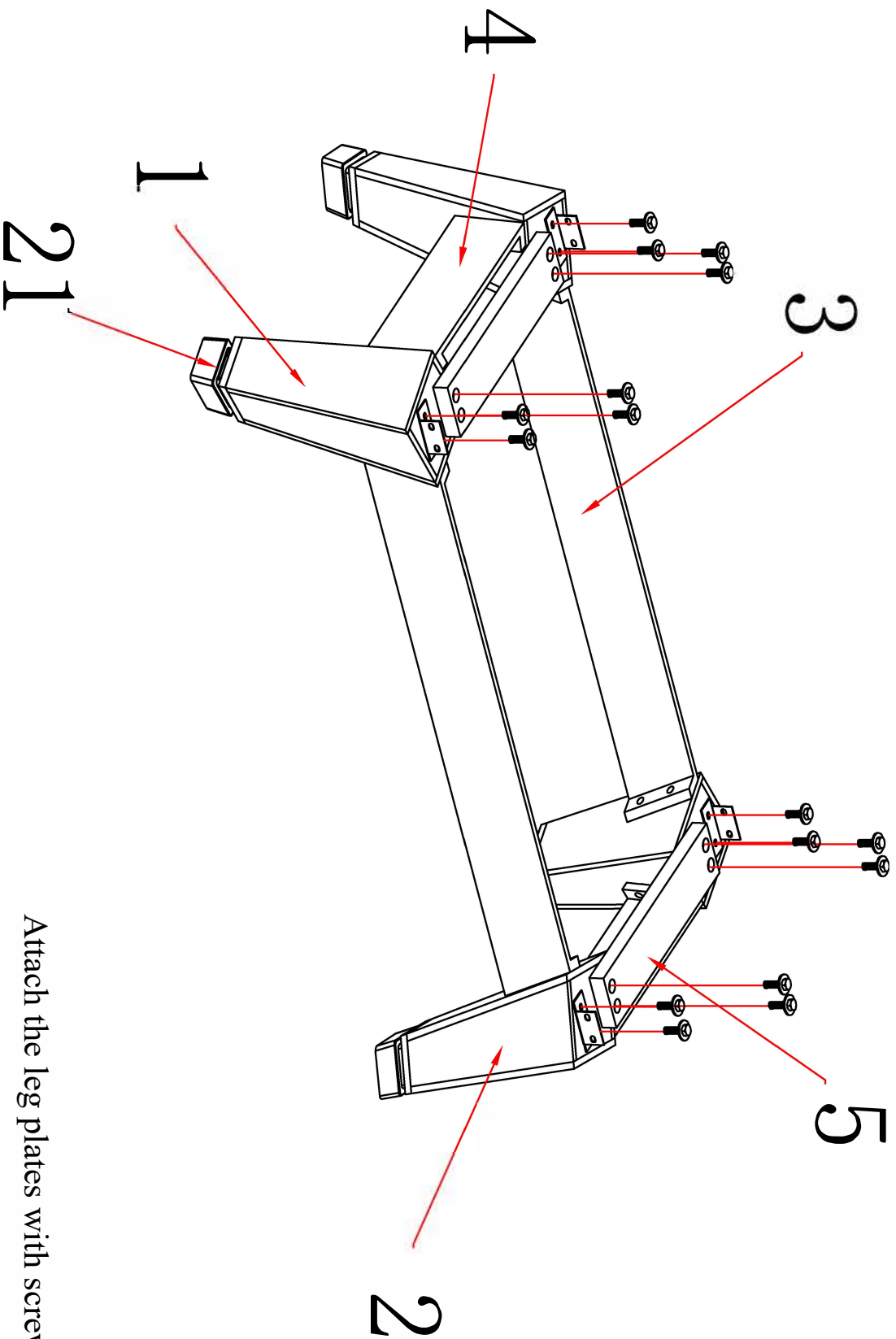


*16

Connect the legs and lower aprons with screws.

螺丝连接脚和下围板

3



10*45



*8

10*25



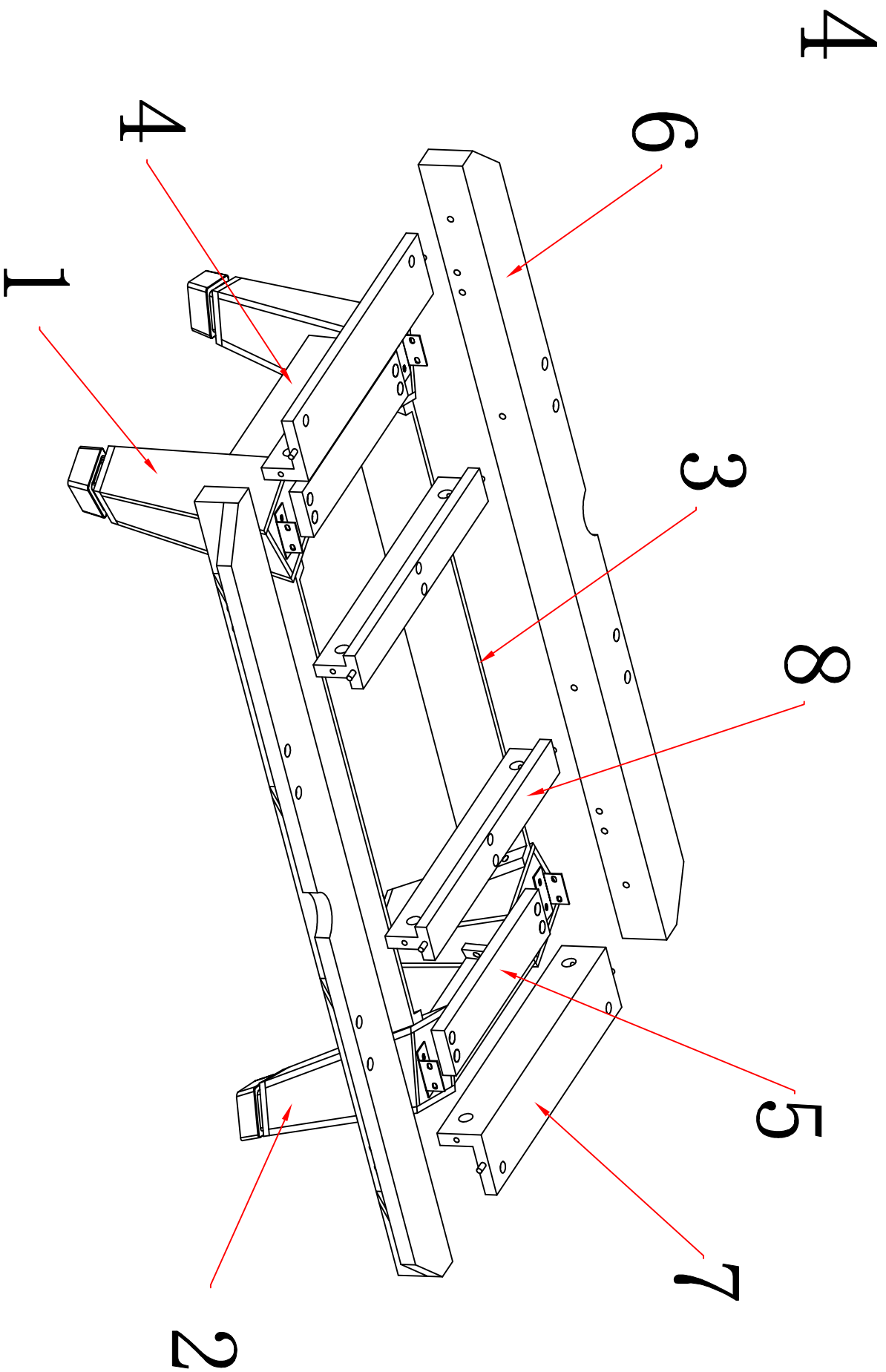
*8

Attach the leg plates with screws.

螺丝连接脚拉板

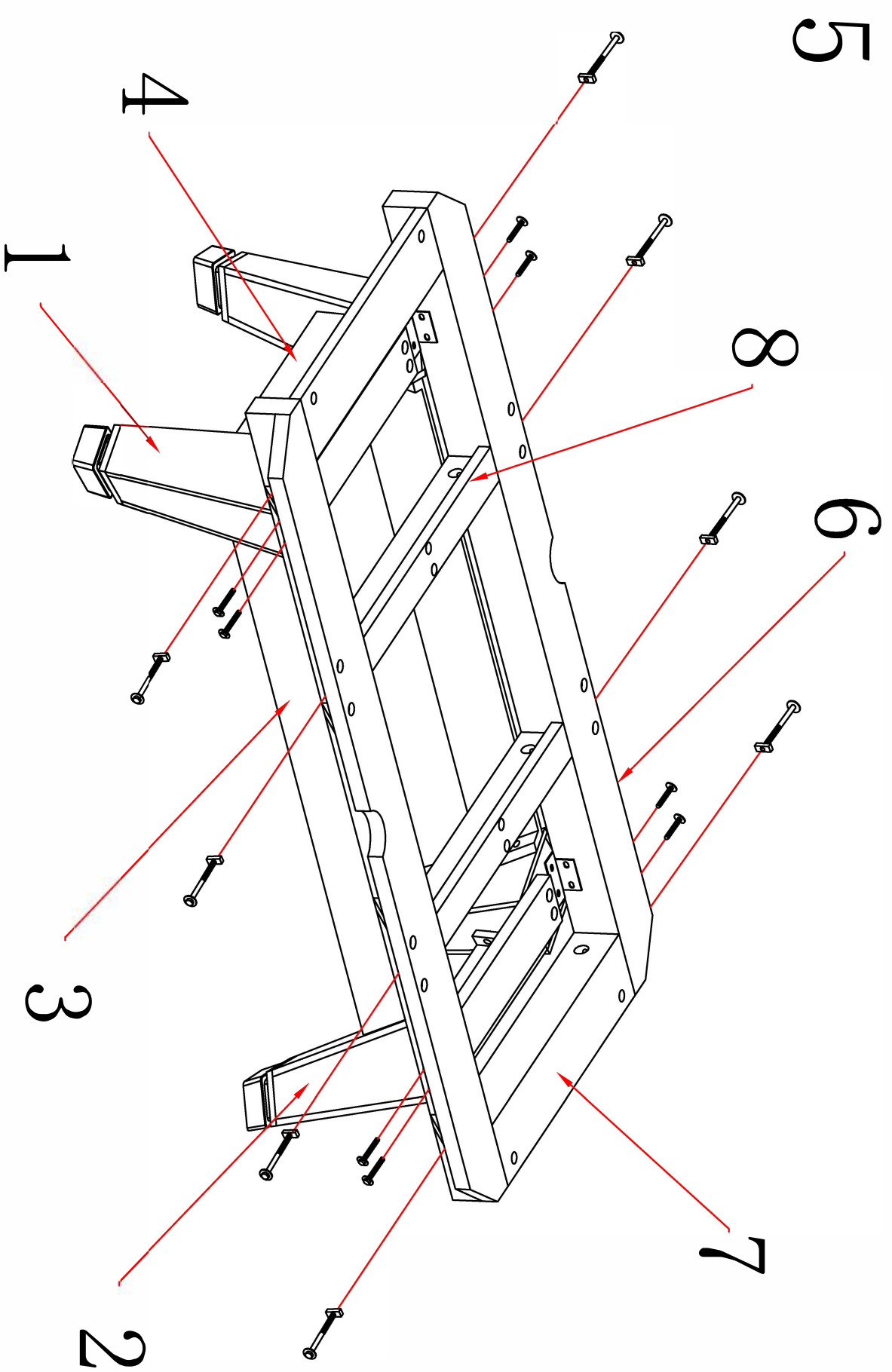
Do not tighten the angle iron screws first

螺丝连接脚拉板角铁螺丝先不拧紧



Arrange the beams as shown in the diagram.

如图布置大梁



5

8

6

7

4

1

3

2

10*150



*8

10*80



*8

M10



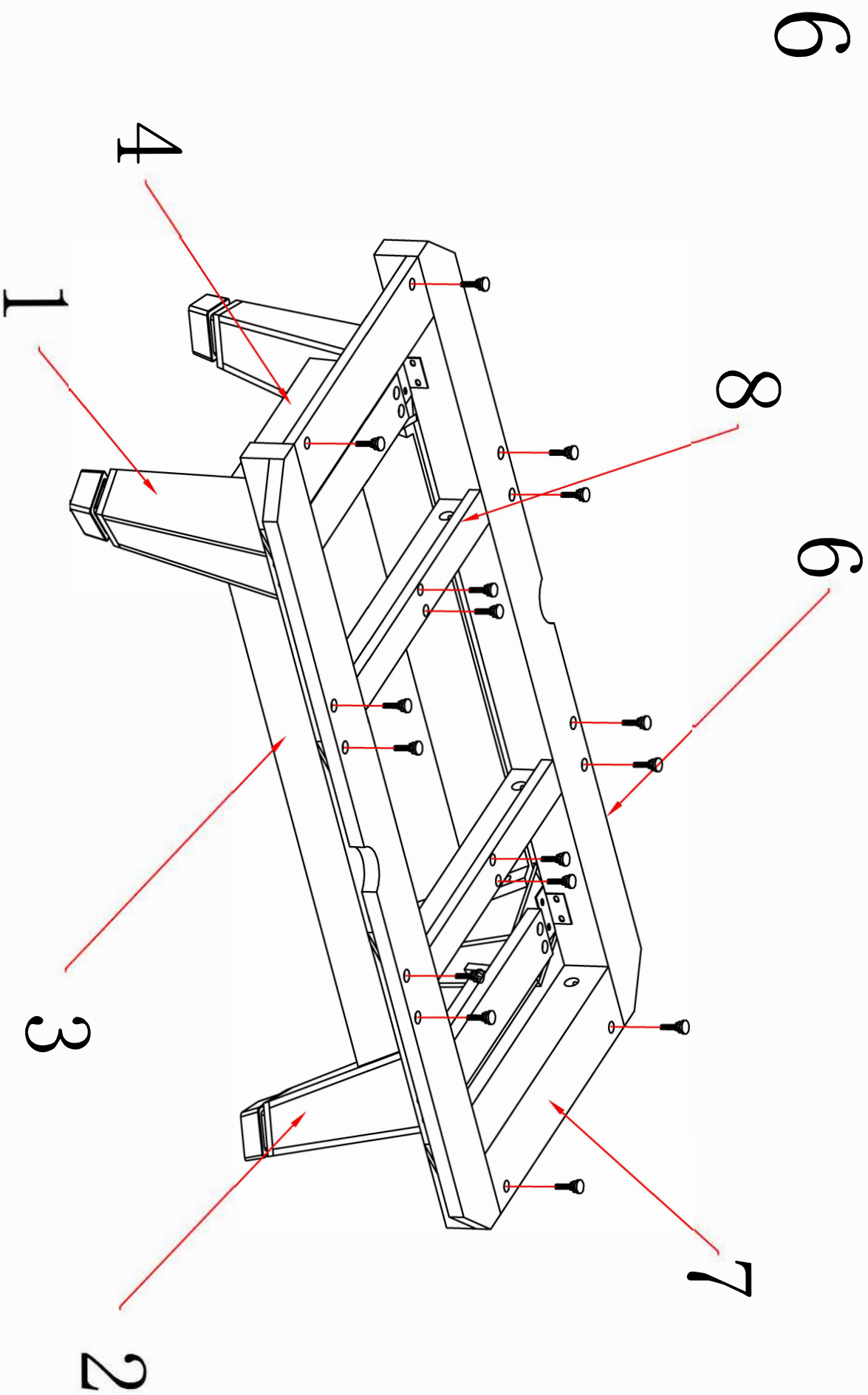
*8



*16

Secure the beams and tighten all screws.

固定大梁并拧紧所有螺丝



调平螺丝 Leveling screw



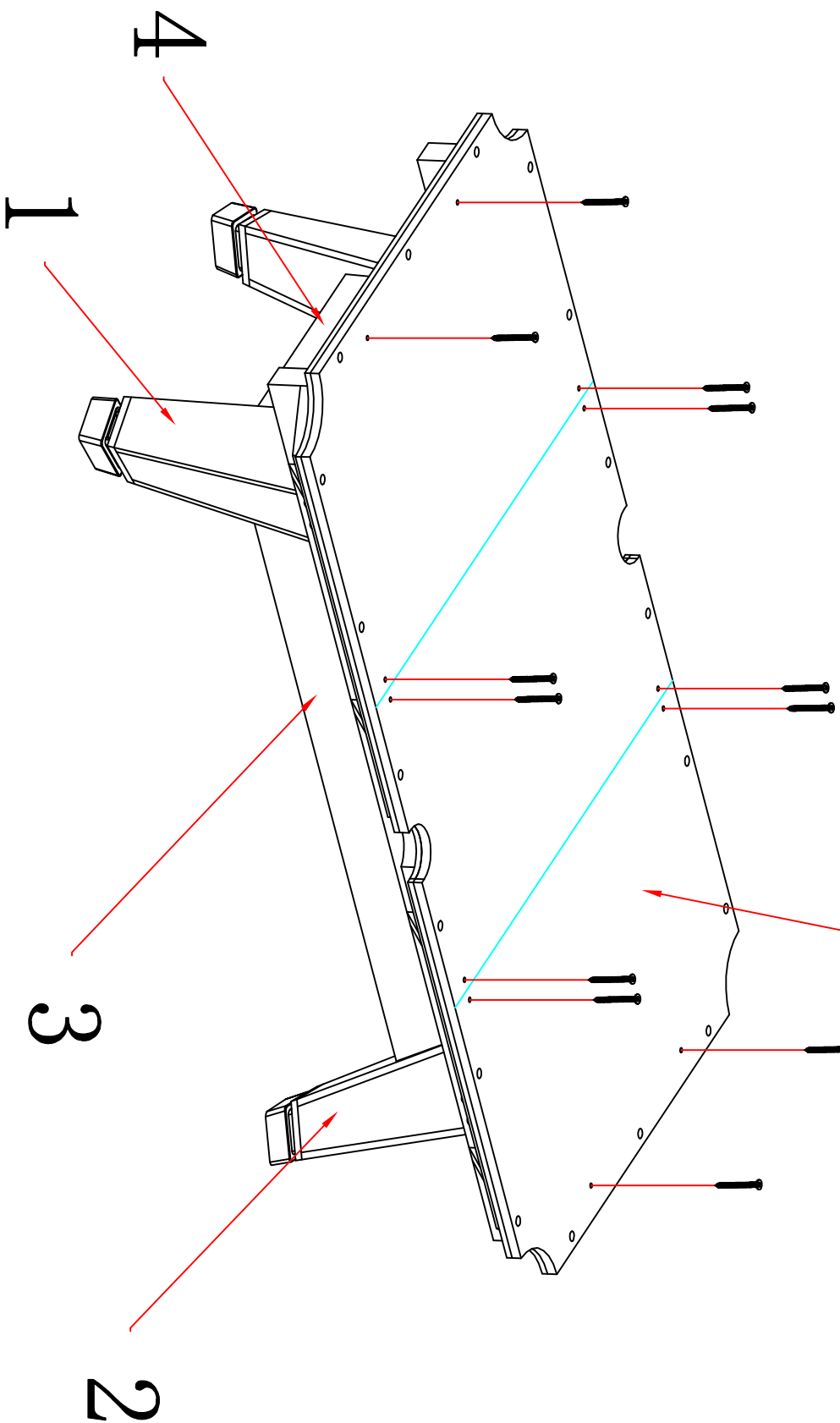
*16

Install the levelers.

安装调平器

7

11



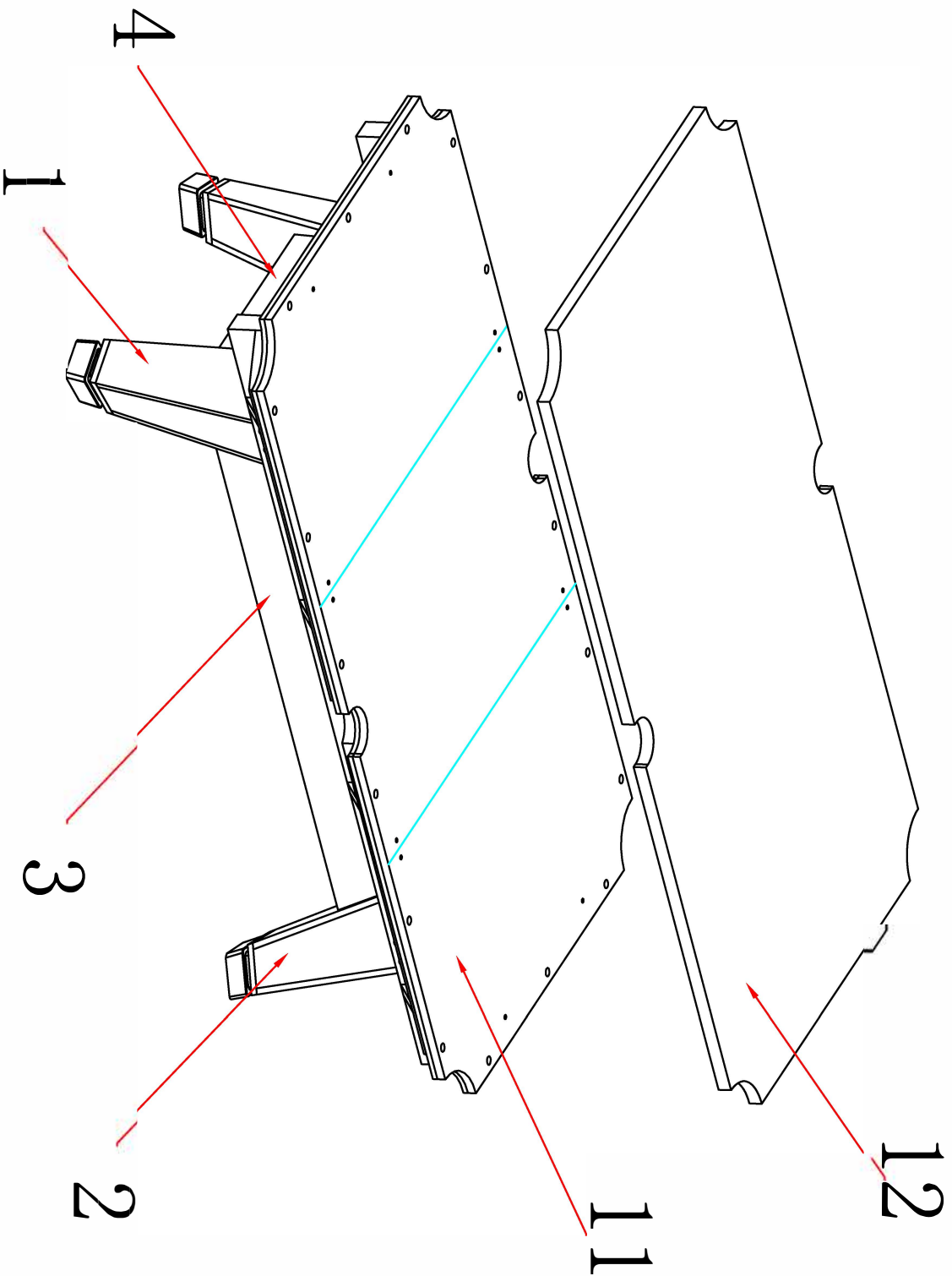
5*50

*12



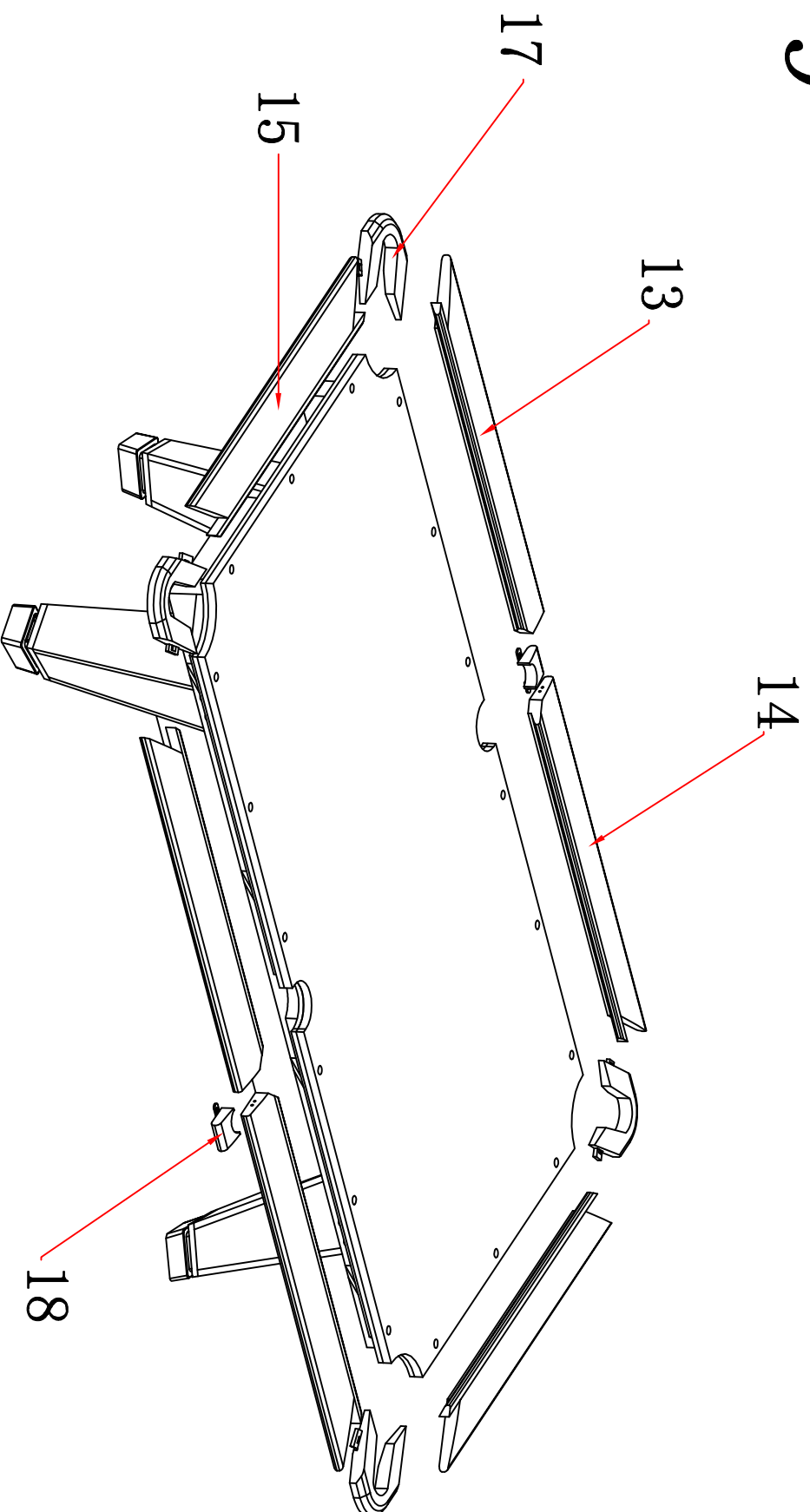
Place the slates centered, level them, and secure firmly

石板居中铺并调水平固定



包好布料钉紧
Wrap the cloth securely and nail it tightly

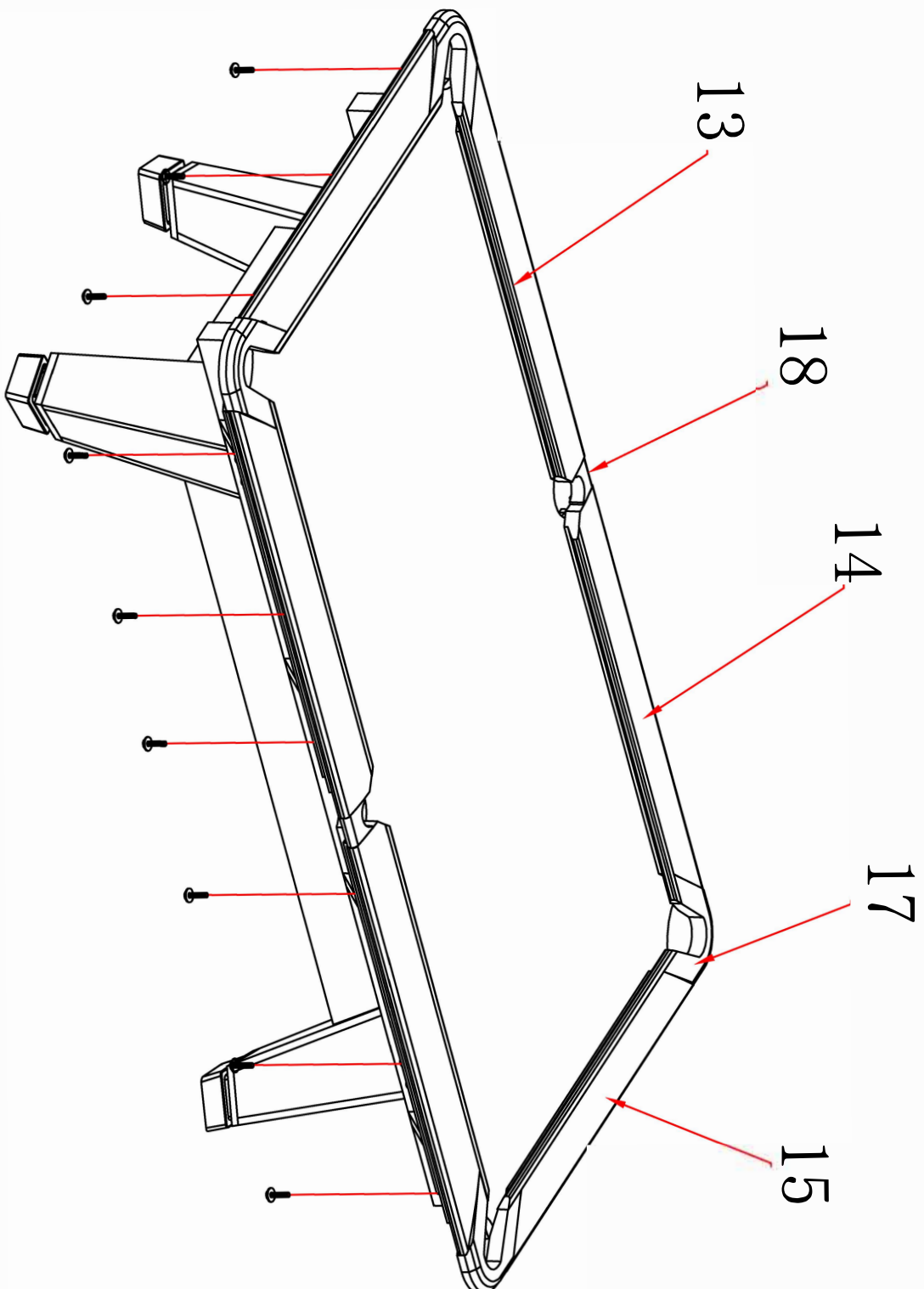
9



Arrange the panel connectors as shown in the diagram.

如图摆布面板连接件

10



10*45

*18

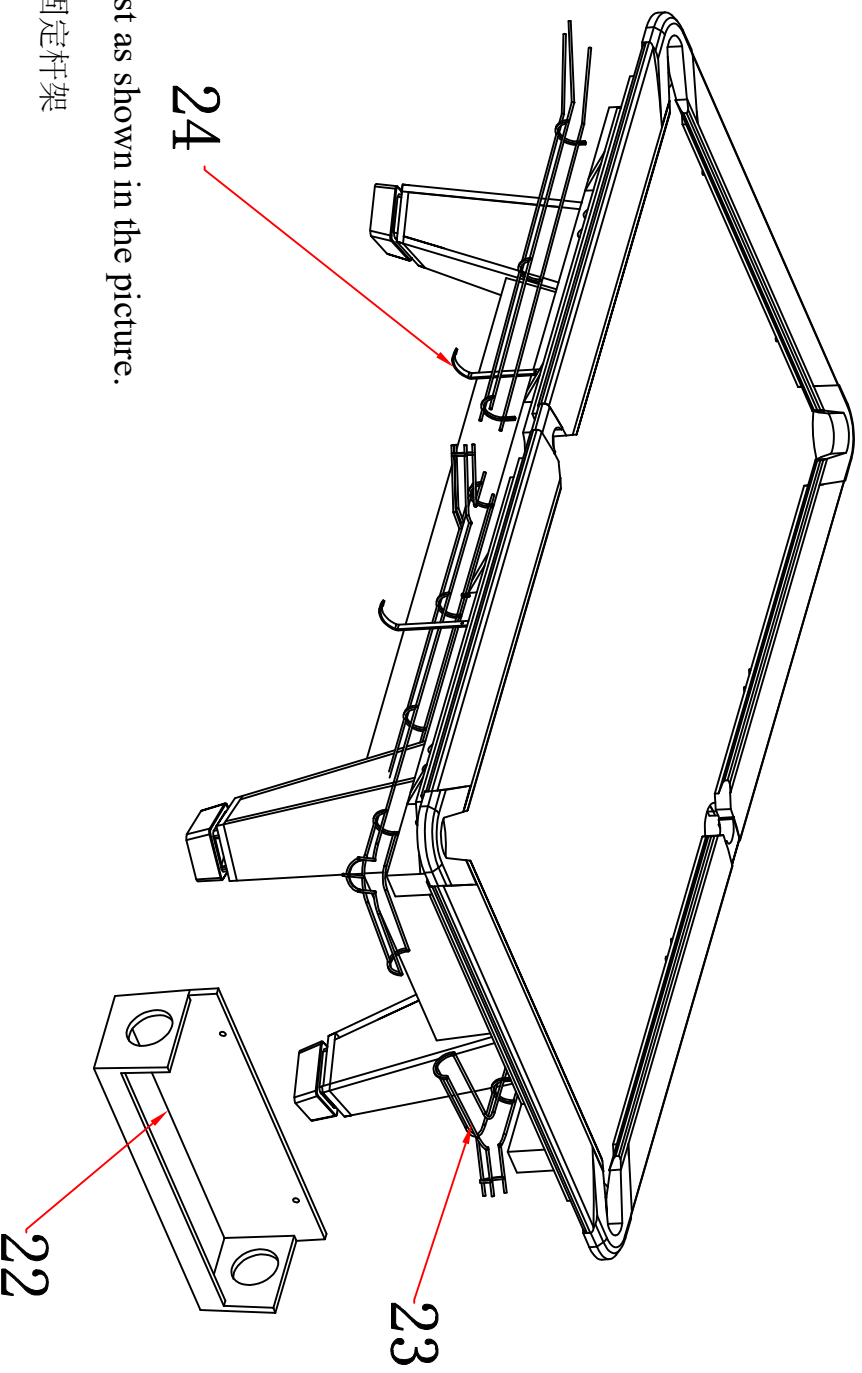


10*35

*12

Secure the panels and connectors.

固定面板和连接件



Fix the rod rack first as shown in the picture.

此图先固定杆架

1 : Install the cue rack in the proper position.

1 : 把杆架安装在恰当位置

2 : Arrange the ball return tracks and ball boxes as shown in the figure (pay attention to the direction).

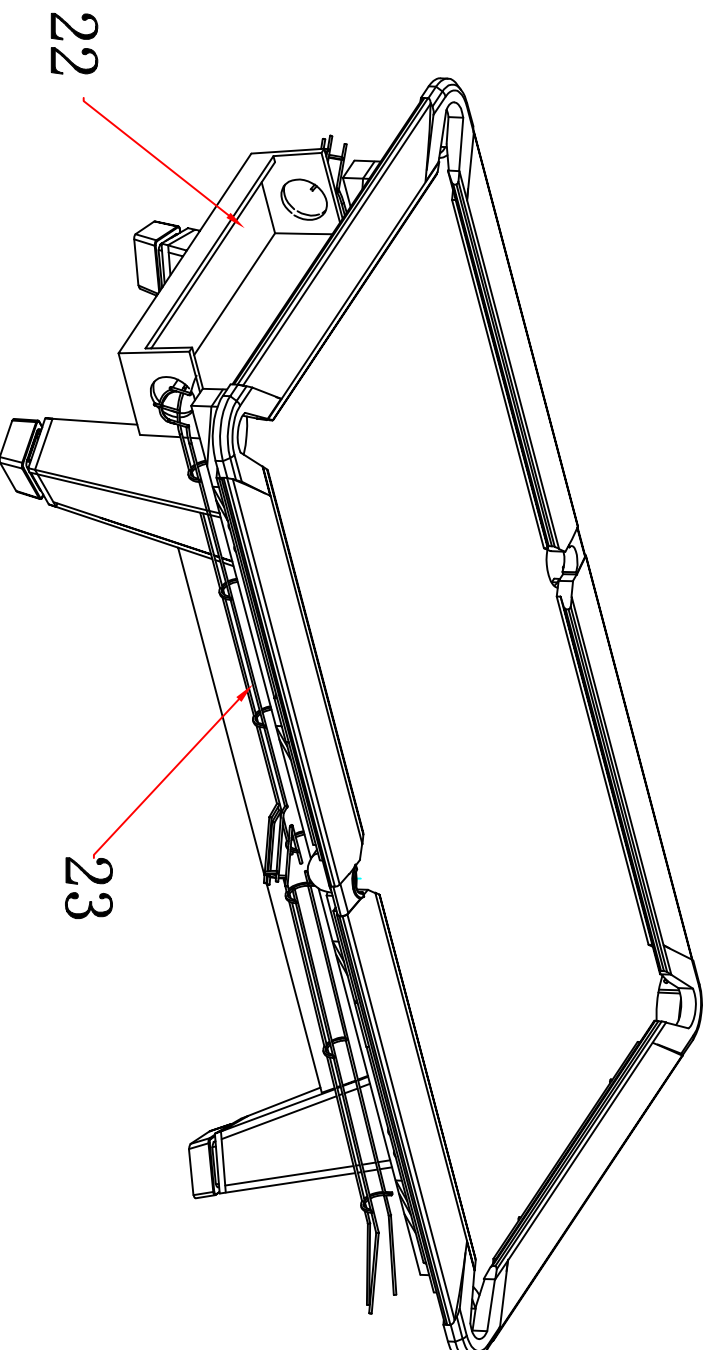
2 : 如图布置回球跑道和球箱 (注意方向)

3. 5*25



*4

12



1 : First fix the ball box.

1 : 先固定球箱

2 : Fix the ball return tracks from top to bottom as shown in the figure.

2 : 由高至低如图固定回球跑道

3 : Ensure balls roll smoothly to the tray.

3 : 保证滚动球畅通至托盘处

3.5*25

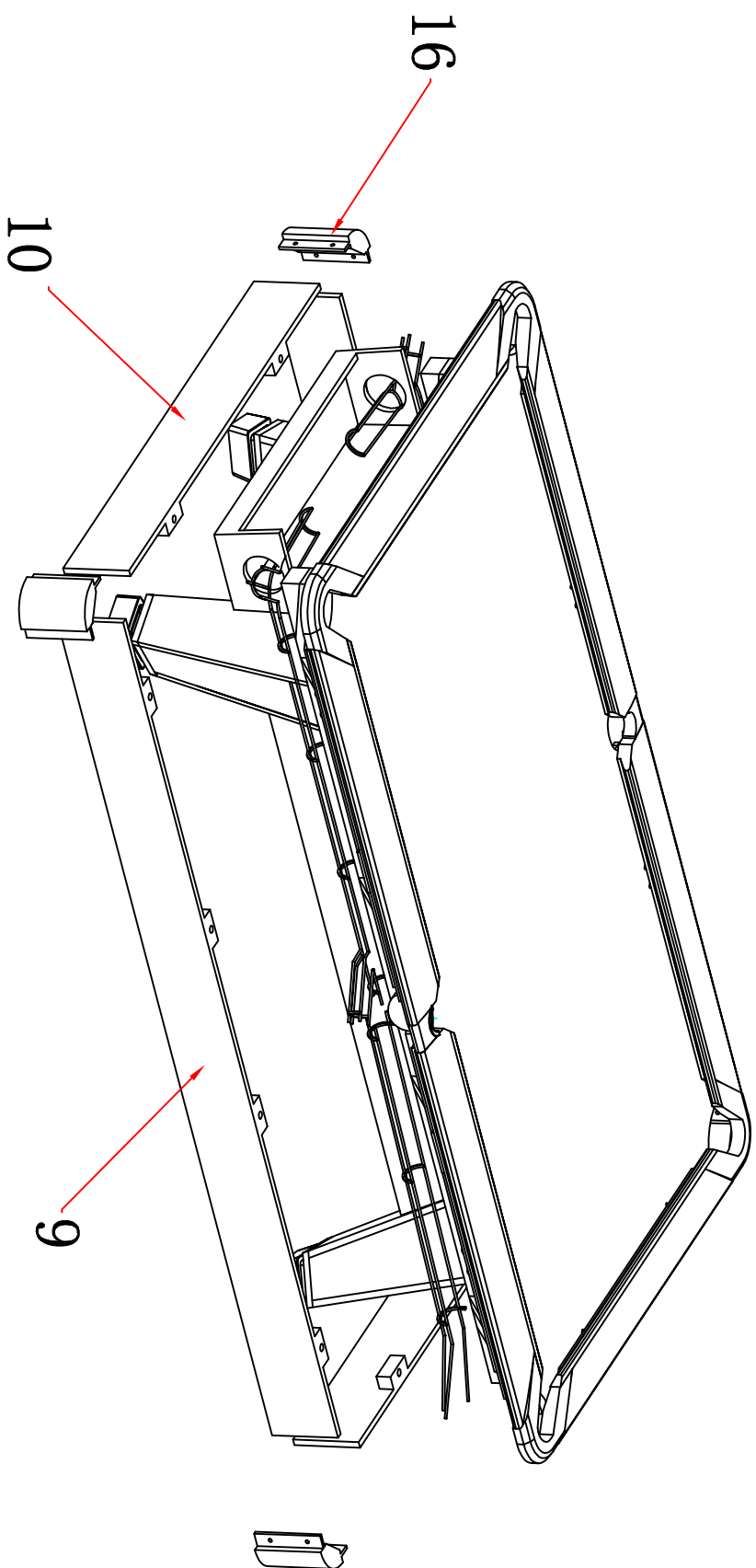


*35

10*45



*2



6*16

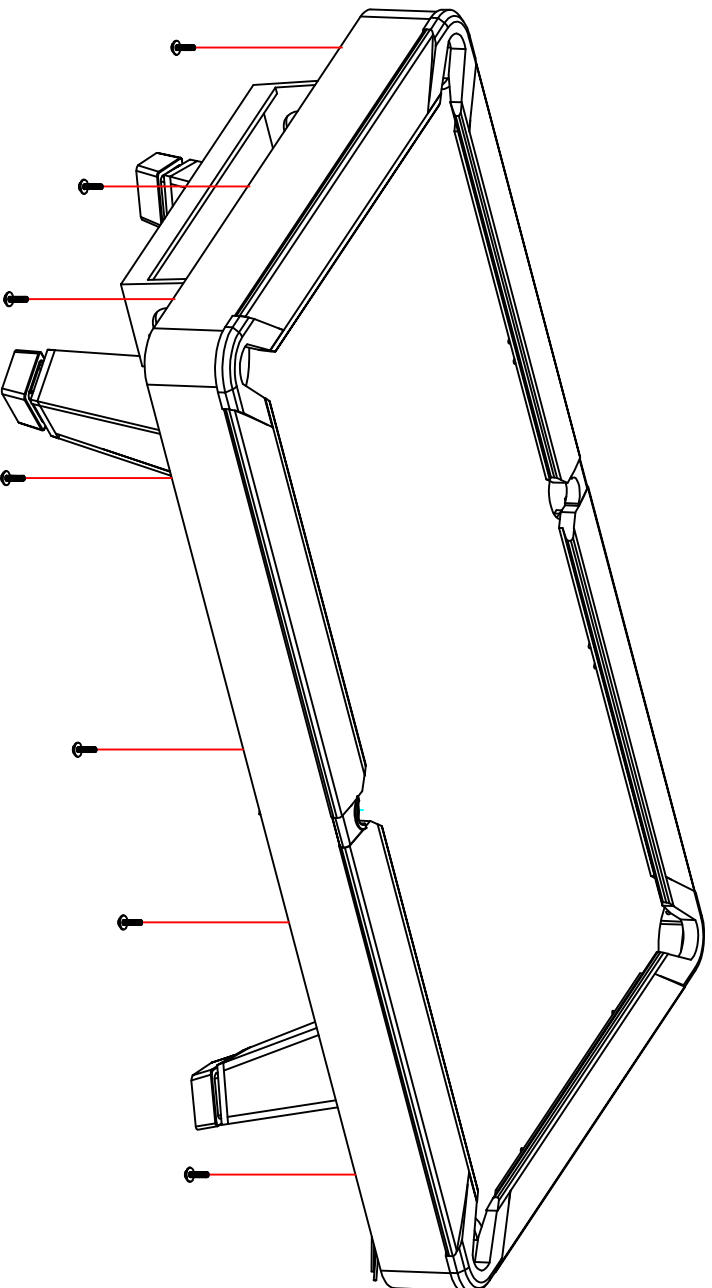
*16



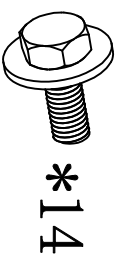
Arrange and connect the hanging plates and corner protectors as shown.

如图布置吊板和包角并连接

14



10*45

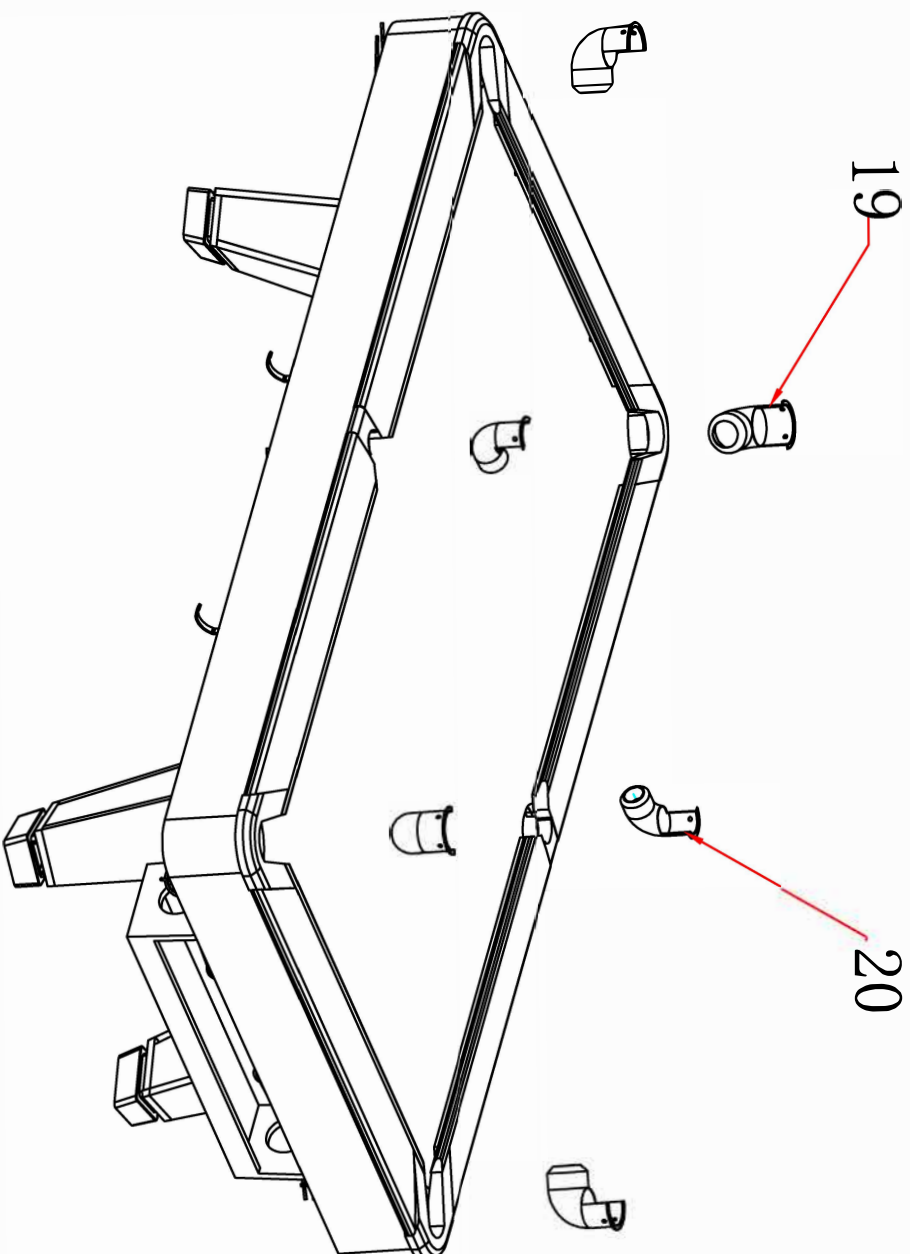


*14

Fix the hanging plates.

固定吊板

15



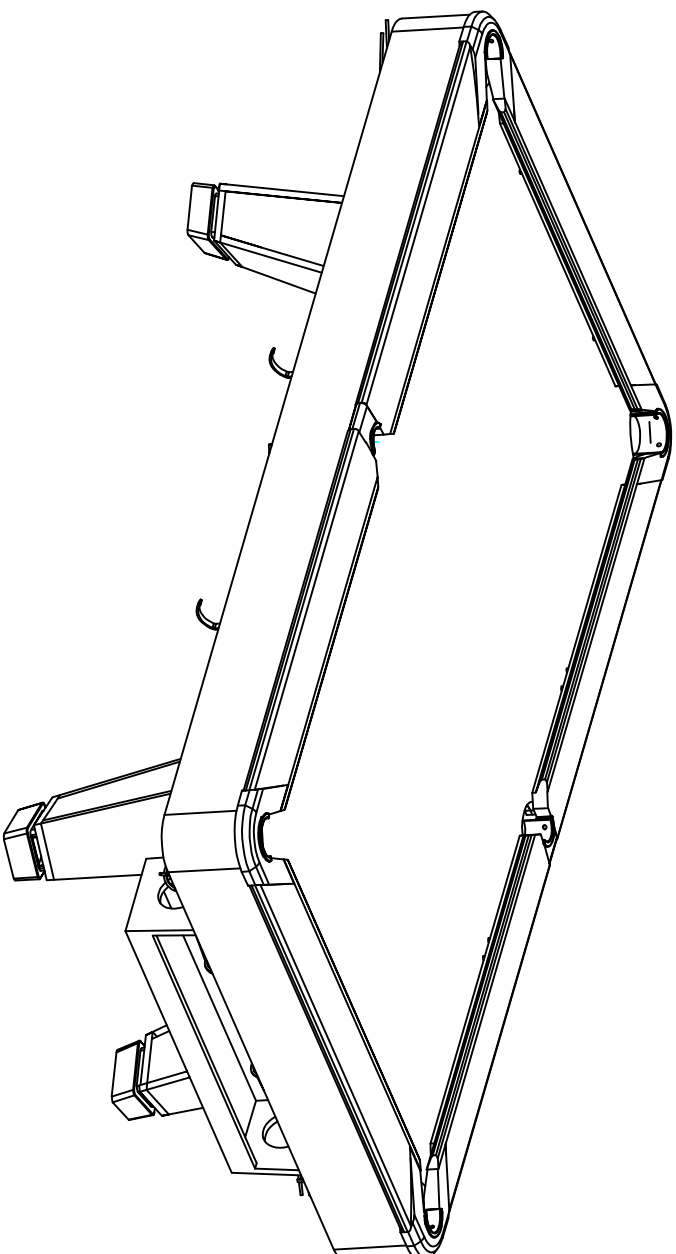
6*20



*12

Fit the corresponding ball pockets and fasten them.

套入相应球代并固定



Installation completed.

安装完成